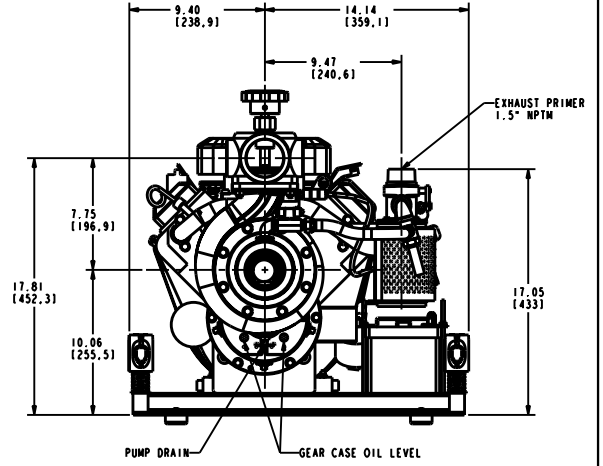
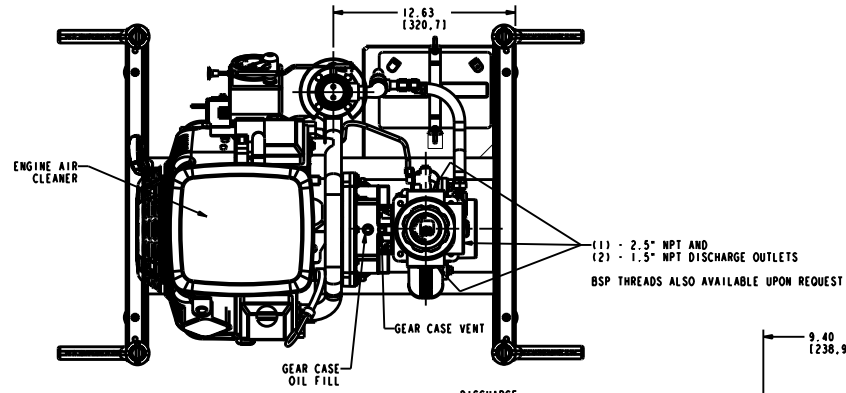
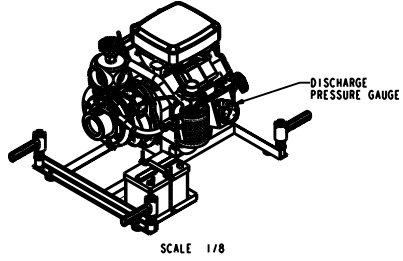
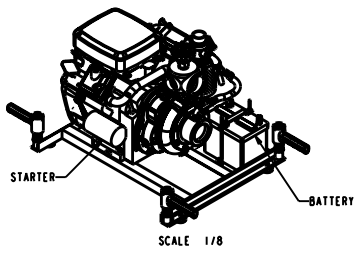
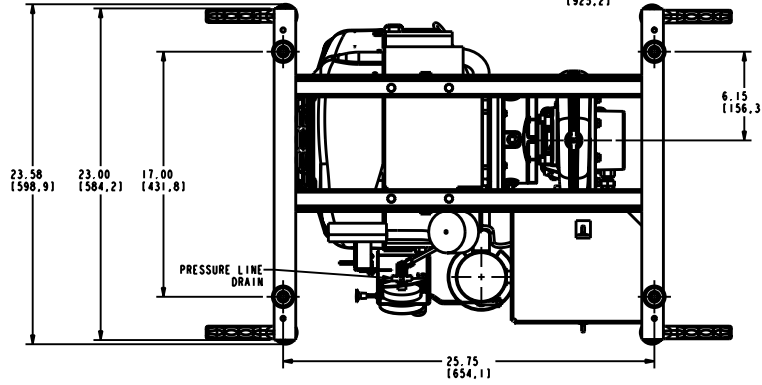
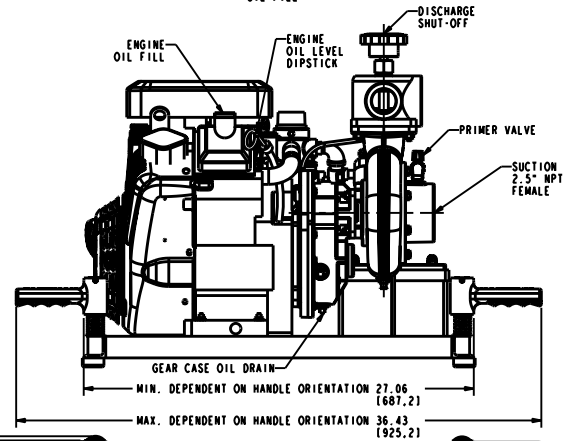
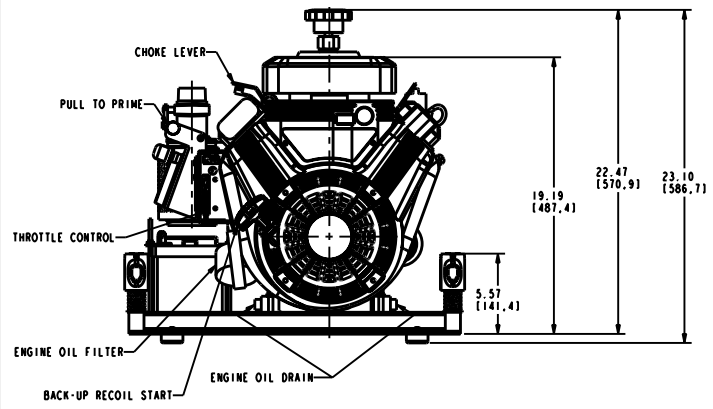


NAME:ME OBJECT:DAD1703 DATE:10-AUG-07 08:49:25

REVISIONS			
LTR	DESCRIPTION	DATE	ENG NO. APPROV



APPROXIMATE WEIGHT: 190LBS (86 KG)



REMOVE SHARP EDGES	1 INCH (25.4 MILLIMETER)	OLD PART NO.	TOLERANCE AS SHOWN	DATE 24-May-07	SCALE 1/8
INTERNAL DESCRIPTION:	MATERIAL NO.	PATTERN NO.	2 SAGE 23HP COOLER CLEANER VANGUARD - DIMENSIONAL	DATE 24-May-07	SCALE 1/8
THIS DESIGN IS THE PROPERTY OF U.S. MALLETS AND CO. UNAUTHORIZED REPRODUCTION IS PROHIBITED			ALL DIMENSIONS IN INCHES UNLESS NOTED		
DO NOT SCALE PRINT			DAD1703		