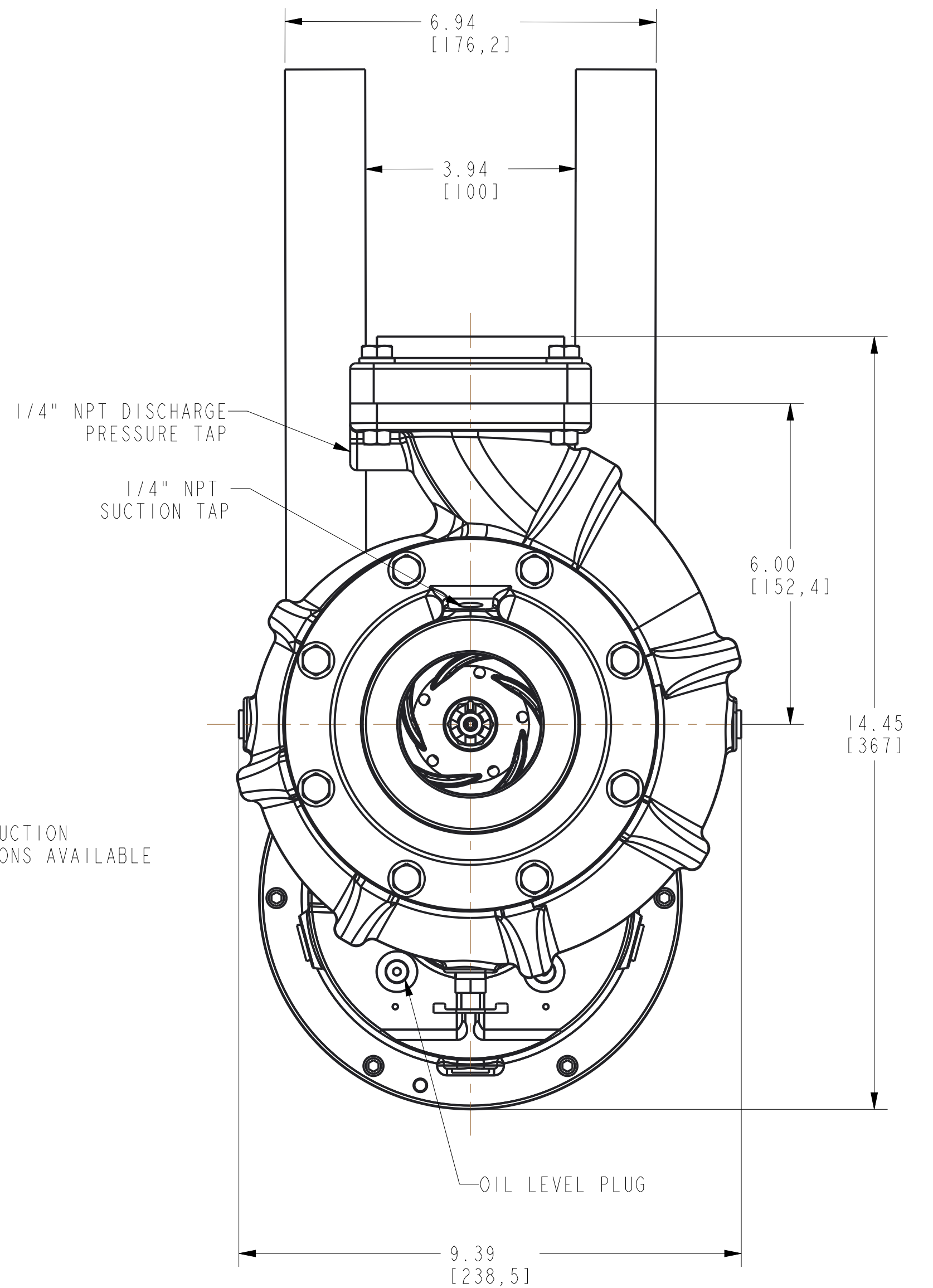
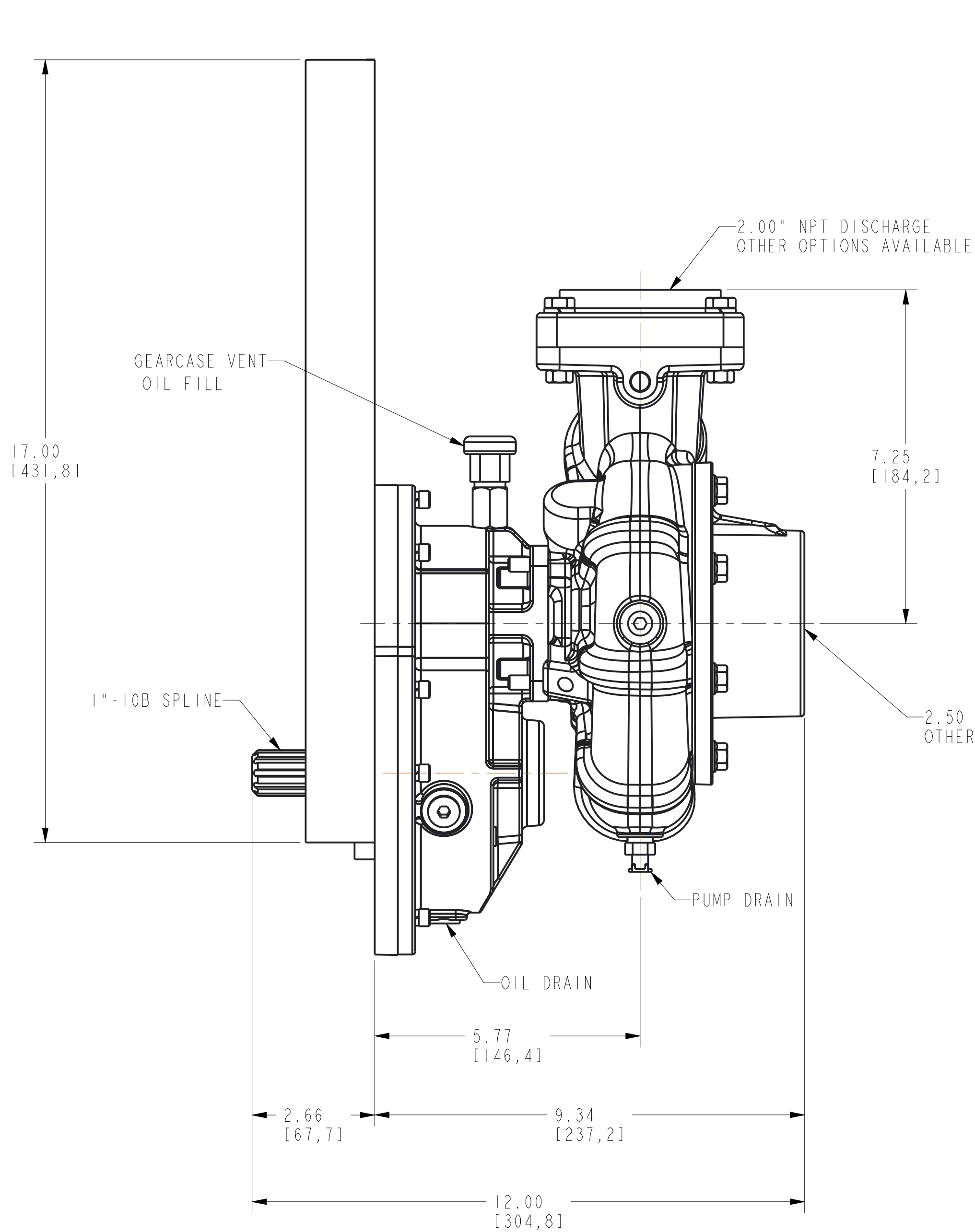


REVISIONS				
LTR	DESCRIPTION	DATE	CHG NO.	APPR'D



REMOVE SHARP EDGES

INCH
[MILLIMETER]



OLD PART NO.

MATERIAL NO.

PATTERN NO.

TOLERANCE
EXCEPT
AS NOTED
.00 ± .03
.000 ± .010
ANGLES ± 1°

MODEL NAME DAD0201 MDL CREATED 03OCT2012 SHEET 1/1 C

W.S. Darley & Co.
ITASCA, IL - CHIPPEWA FALLS, WI

DWG - 2.5AG, PTO, OPP ENG ROTATION
DIMENSIONAL

THIS DESIGN IS THE PROPERTY OF
W.S. DARLEY AND CO. - UNAUTHORIZED
REPRODUCTION IS PROHIBITED

ALL DIMENSIONS IN
INCHES UNLESS NOTED

DO NOT SCALE PRINT

DR'N SMS
CHKD RJG
TRCD

DATE 03-OCT-12
SCALE 1/2

DAD0201