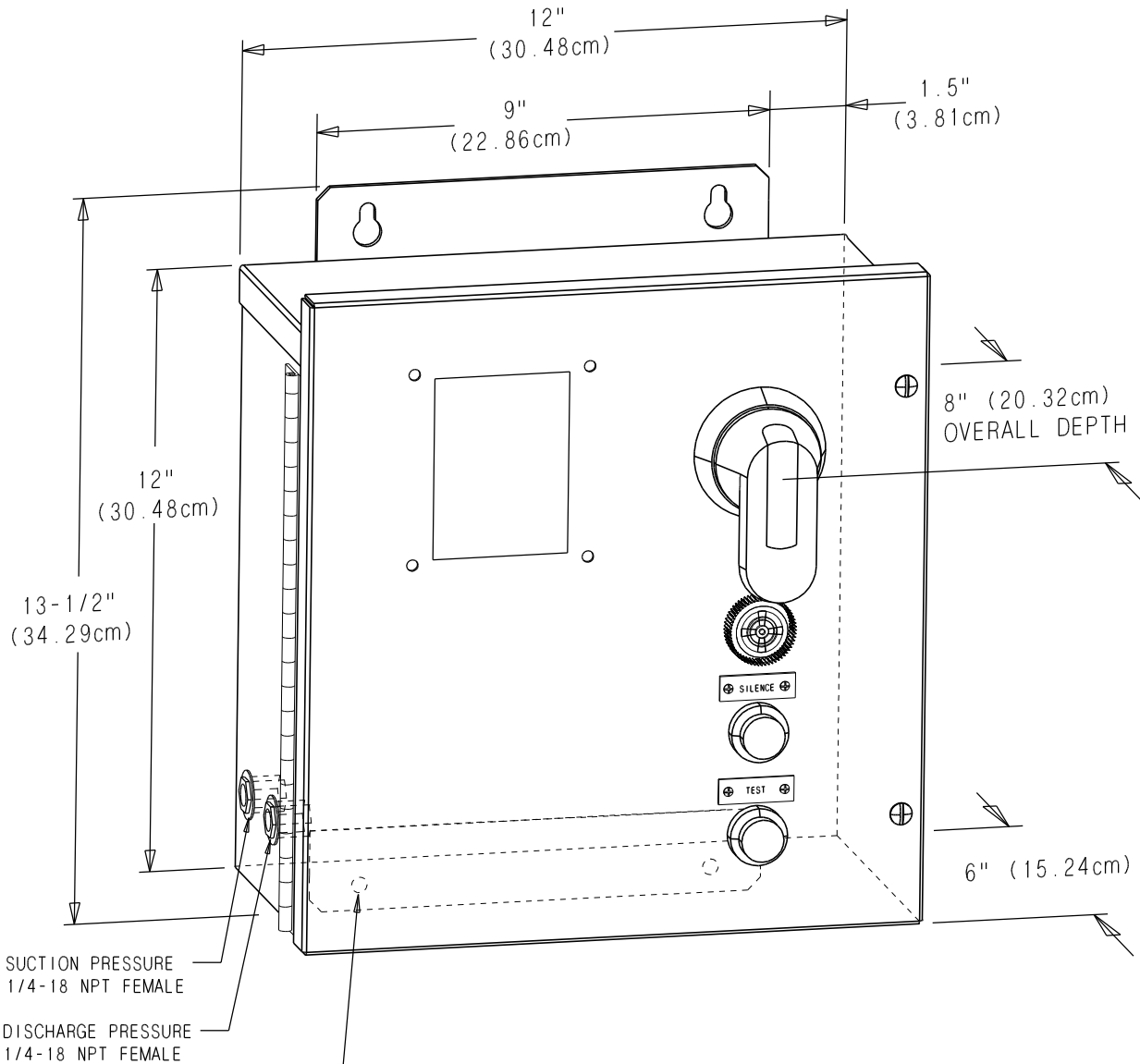


STS Pump Motor Controllers

MASTER



Notes:

- Enclosure: 16 Gauge Sheet Steel
- Finish: Red Baked Enamel
- Application: NEMA 2 For Indoor Use
- Mounting: Wall Mount
- Max. Shipping Weight: 20 Lbs. (9kg)



Master Control Systems Inc.
 LAKE BLUFF, ILLINOIS U.S.A.

STS Pump Motor
 Controller Dimensions

Date	7 February 2011
Drawing	10712 Issue 1