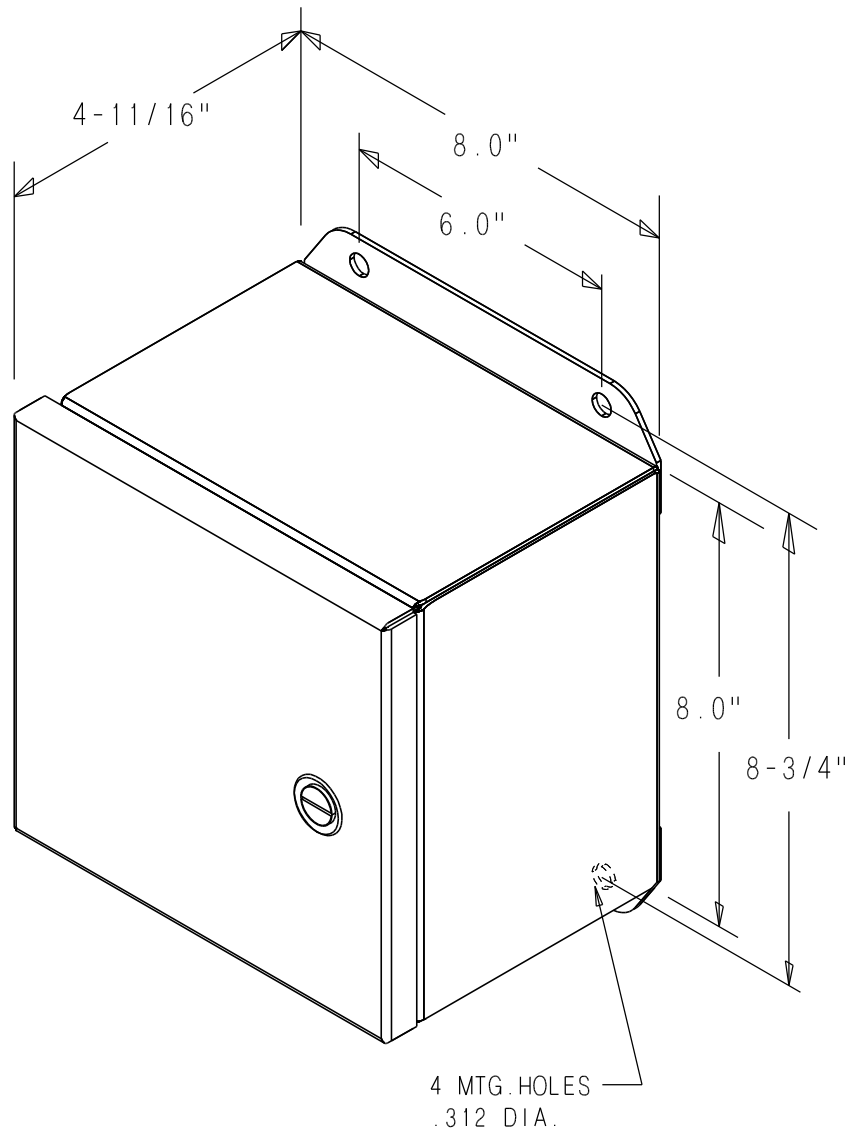


RP-230 RE-START PANEL



Notes:

- Enclosure: 16 Gauge Sheet Steel
- Application: NEMA 12
- Mounting: Wall Mount



W. S. Darley & Company

325 Spring Lake Drive, Itasca, IL 60143

1-800-323-0244 www.darley.com www.firesprinklerpumps.com

RP-230 RE-START PANEL

Date 19 JULY 2013

Drawing 10730

Issue 1