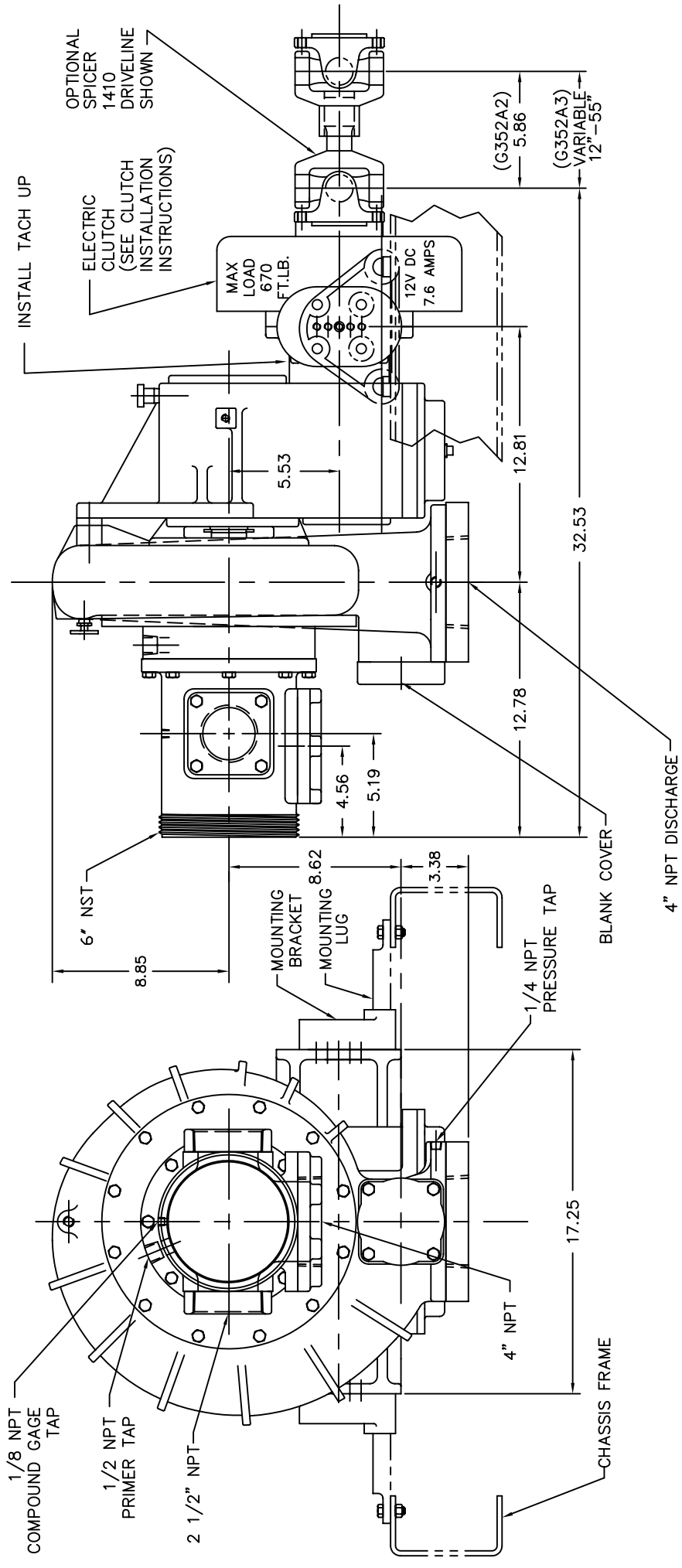


PSF FRONT MOUNT PUMP
 NFPA 1901 RATINGS AVAILABLE
 1000 GPM
 1250 GPM
 1500 GPM



NOTE: INSTALL TACH UP

PART NO.	DATE	CHANGE
DRN	JAN 28, 97	
CHKD		
TRGD		
W.S. DARLEY & CO. MELROSE PARK, IL - CHIPPewa FALLS, WI DWG - PSF DIMENSIONAL LOW PRO		
SCALE	1/4	DPD0300

MATERIAL:	PATTERN NO.
THIS DESIGN IS THE PROPERTY OF W.S. DARLEY & CO. UNAUTHORIZED REPRODUCTION IS PROHIBITED.	DO NOT SCALE PRINT
ALL DIMENSIONS IN INCHES UNLESS NOTED	SCALE