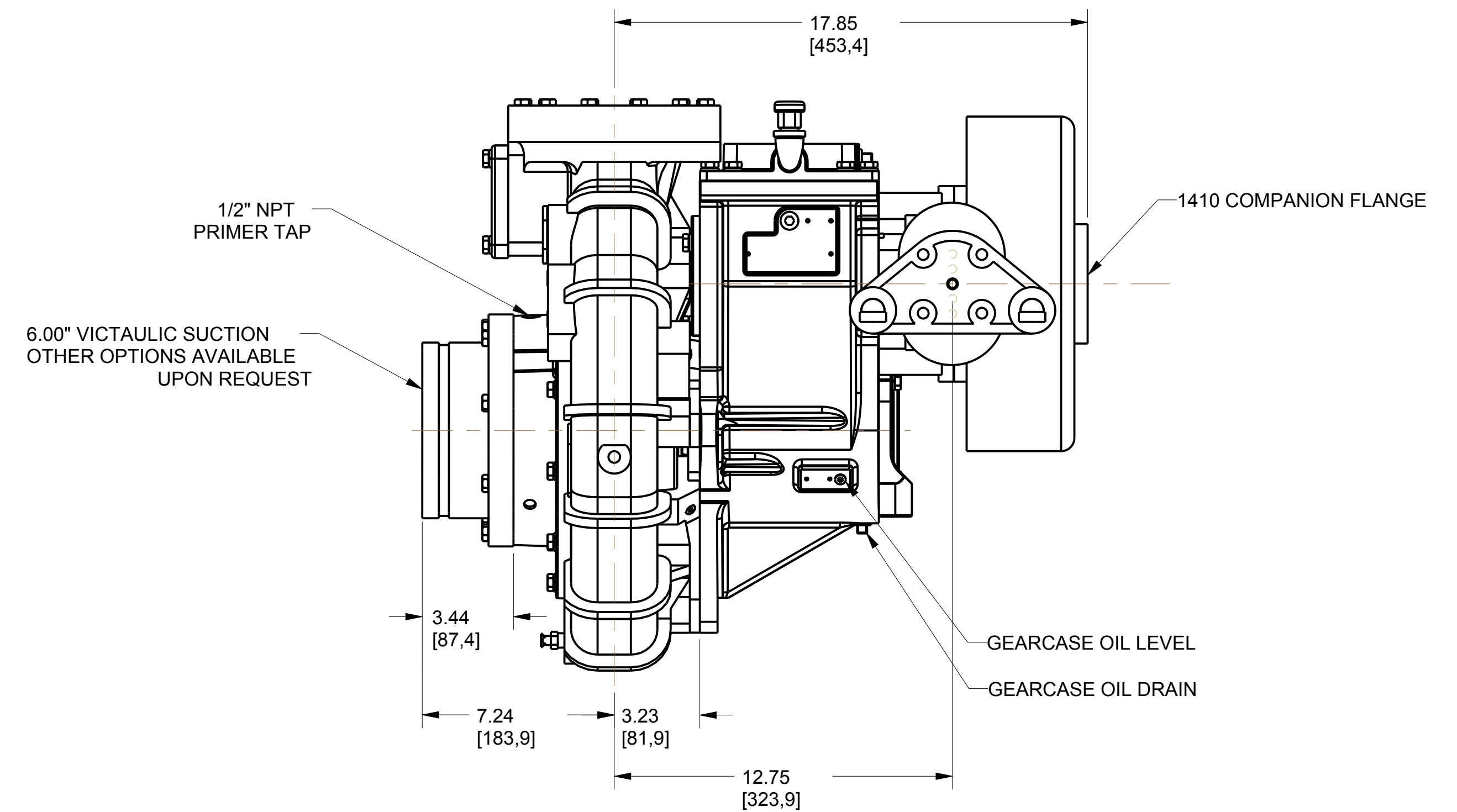
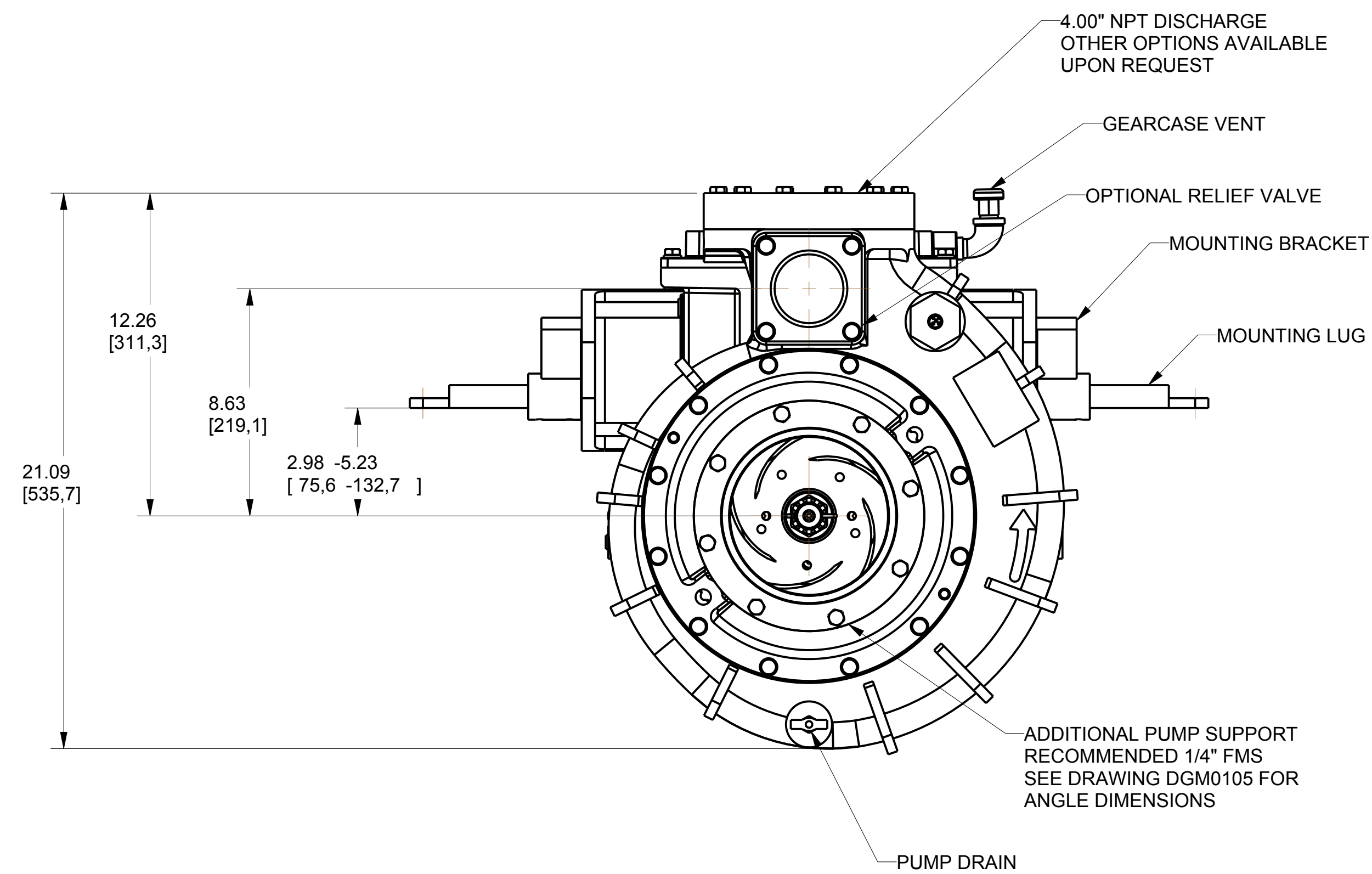
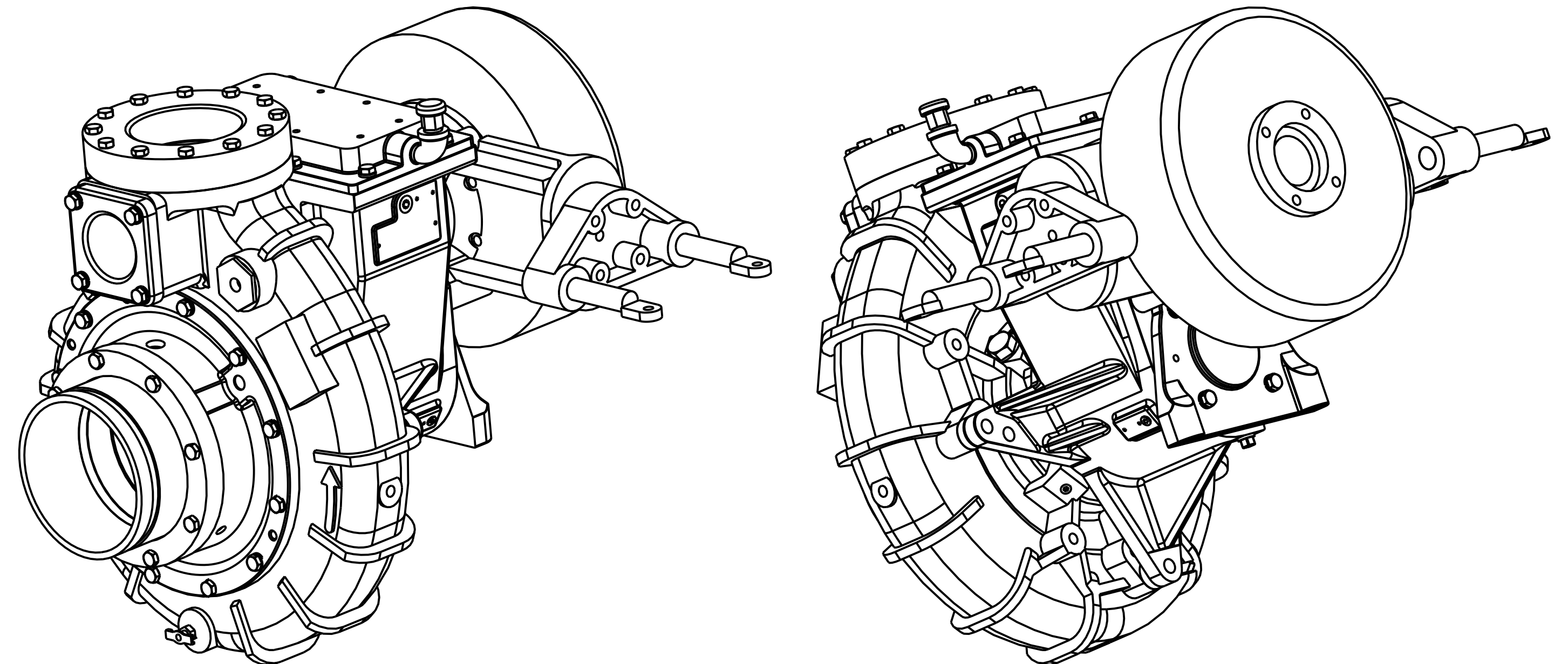
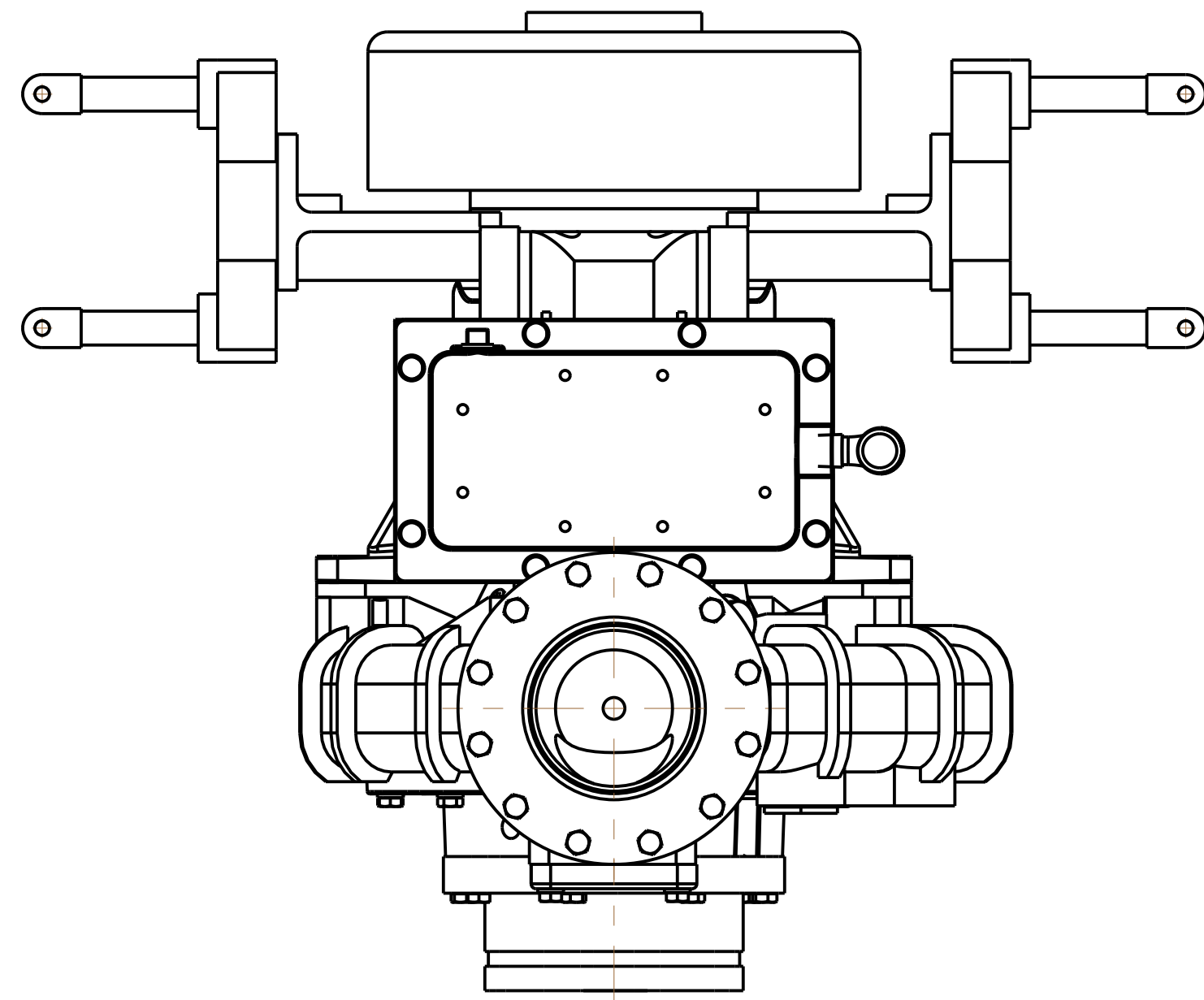


REVISIONS				
LTR	DESCRIPTION	DATE	CHG NO.	APPRD



MODEL NAME: DPD0304 MKL CREATED: 22MAY2012 SHEET: 1/1 D

REMOVE SHARP EDGES		INCH (MILLIMETER)	OLD PART NO.	TOLERANCE EXCEPT AS NOTED	 W.S. Darley & Co. ITASCA, IL - CHIPPEWA FALLS, WI
MATERIAL DESCRIPTION:			MATERIAL NO.	PATTERN NO.	
THIS DESIGN IS THE PROPERTY OF W.S. DARLEY AND CO. - UNAUTHORIZED REPRODUCTION IS PROHIBITED		ALL DIMENSIONS IN INCHES UNLESS NOTED	DO NOT SCALE PRINT		DWG - PSF-IC DIMENSIONAL INVERTED GEARCASE DATE 22-May-12 SCALE 1/4

DPD0304