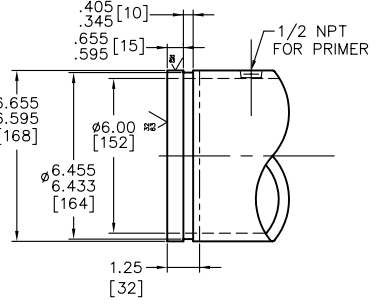


BODY PANEL DIMENSIONS			
BODY WIDTH	DE		
70 [1778]	20 [508]		
72 [1829]	21 [533]		

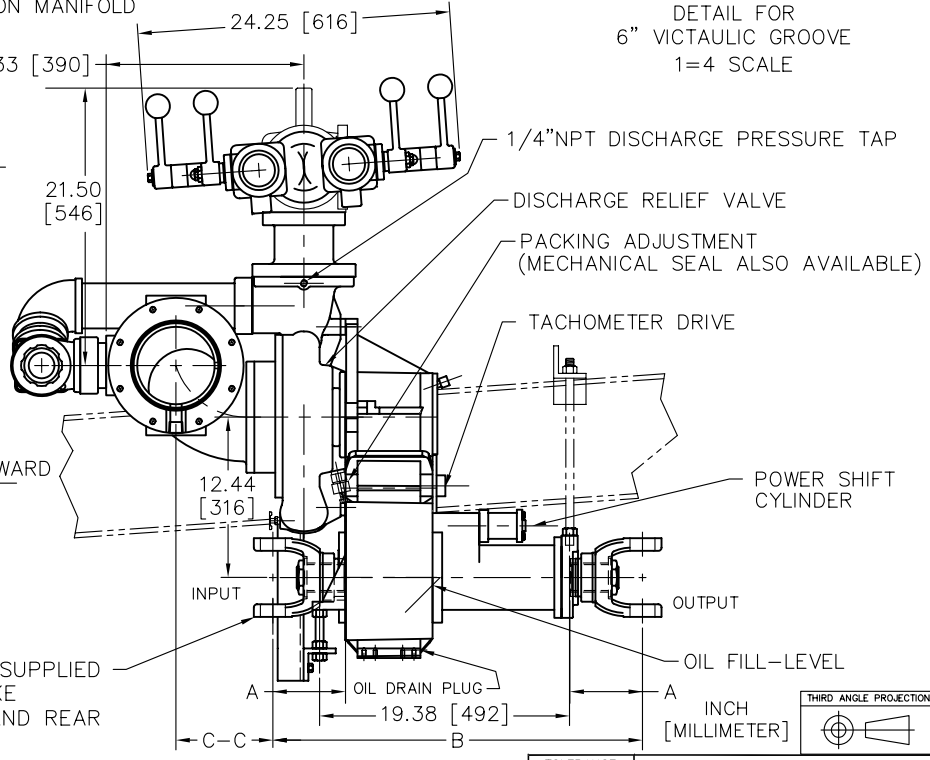
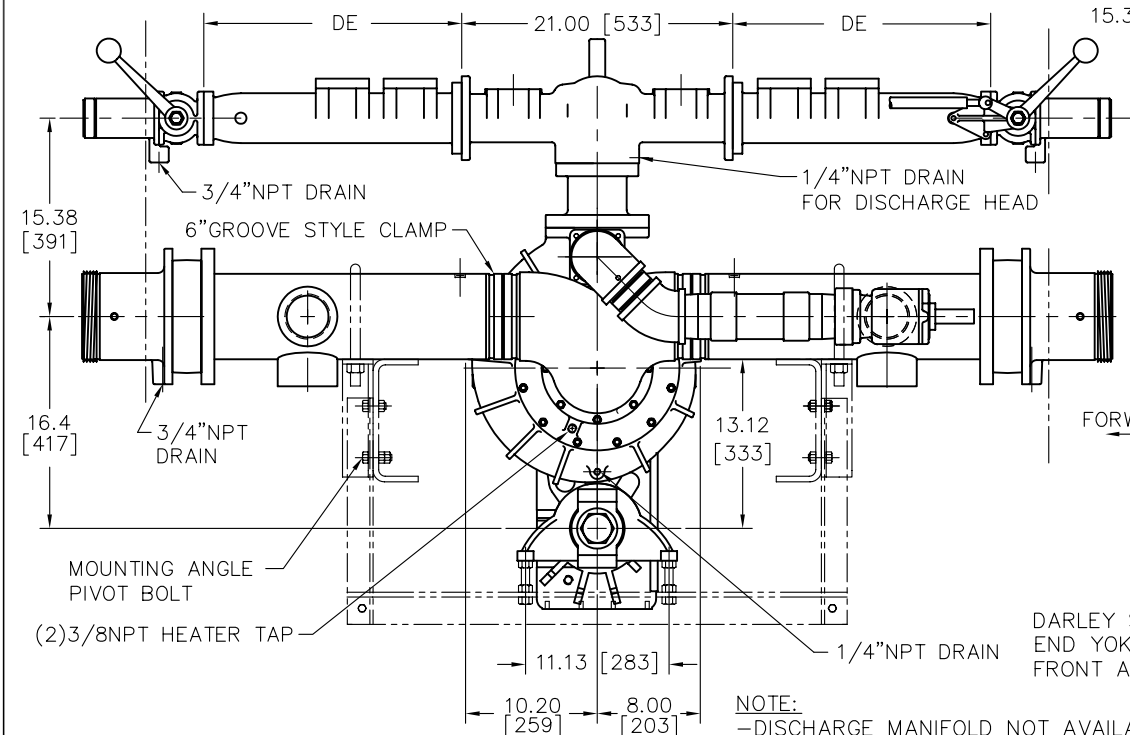
YOKE SERIES	A	B	C-C
1550	5.75 [146]	28.90 [734]	7.39 [188]
1610	6.12 [155]	29.64 [753]	7.02 [178]
1710	5.63 [143]	28.66 [728]	7.52 [191]

70" BODY WIDTH SHOWN

SEE DRAWING N188 FOR DRIVELINE PART DETAILS



DETAIL FOR 6" VICTAULIC GROOVE
1=4 SCALE



NOTE:
 -DISCHARGE MANIFOLD NOT AVAILABLE FOR PUMP REAR
 -FOR PUMP REAR, PUMP CASING MUST BE ROTATED 30 DEGREES
 -NET WEIGHT: 920LBS [414 KG]

E	DESCRIPTION	DATE	CHG NO.	APPR'D
1	UPDATED TO REVISED GEARCASE	27APR2000	-	TED
2	SEE HISTORICAL COPY	4/7/99	-	DLL

TOLERANCE EXCEPT AS NOTED	FRAC DIM ±.01
	.00 ±.01
	.000 ±.005
	ANGLES ±1°
DR'N	TED
CHKD	
TRCD	

W.S. DARLEY & CO. MELROSE PARK, IL - CHIPPEWA FALLS, WI	
DWG - PSM, PUMP FORWARD DIMENSIONAL	
DATE JAN17,95	SCALE 1/8
DPD0600	

THIS DESIGN IS THE PROPERTY OF W.S. DARLEY AND CO. - UNAUTHORIZED REPRODUCTION IS PROHIBITED

ALL DIMENSIONS IN INCHES UNLESS NOTED

DO NOT SCALE PRINT

