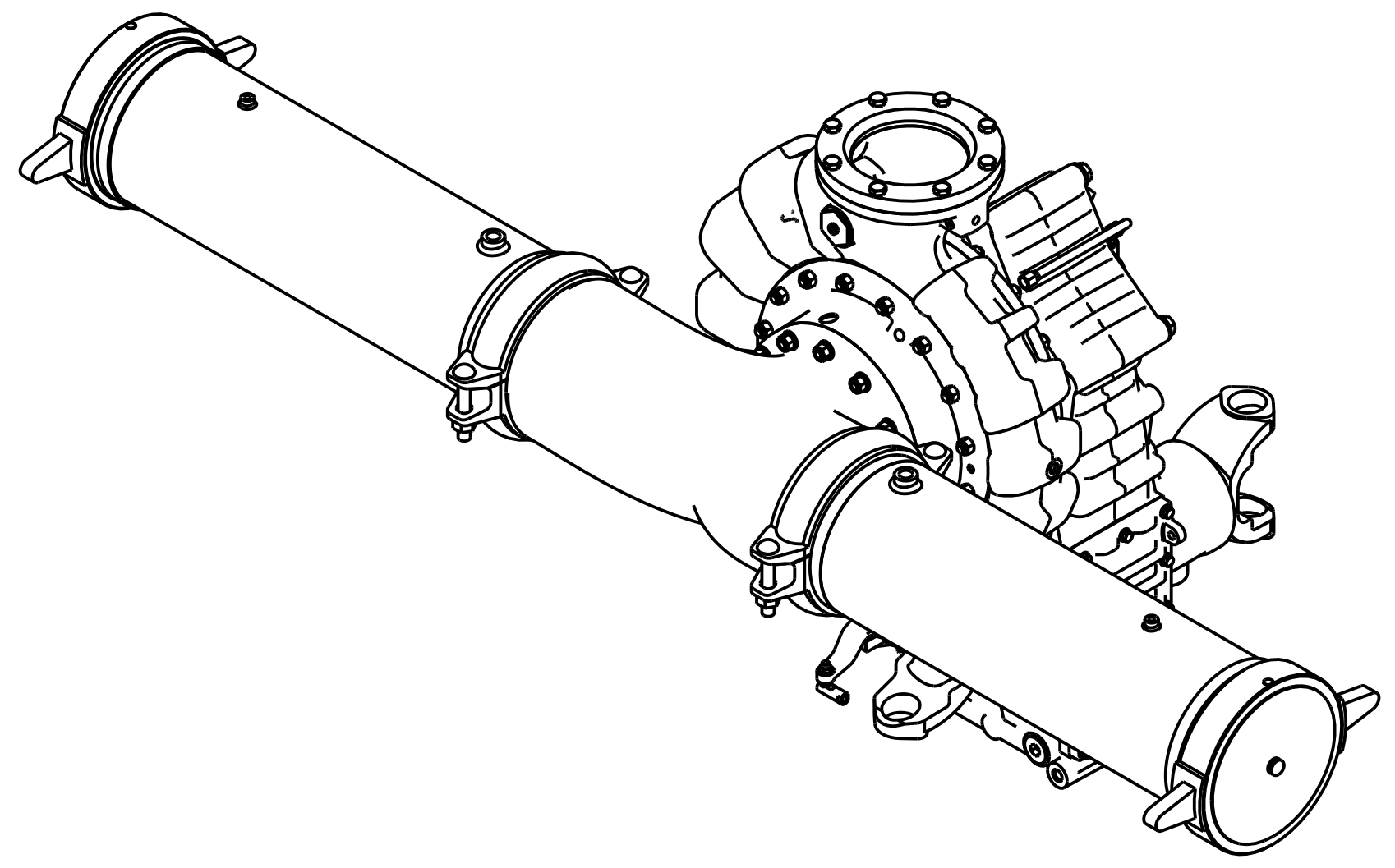
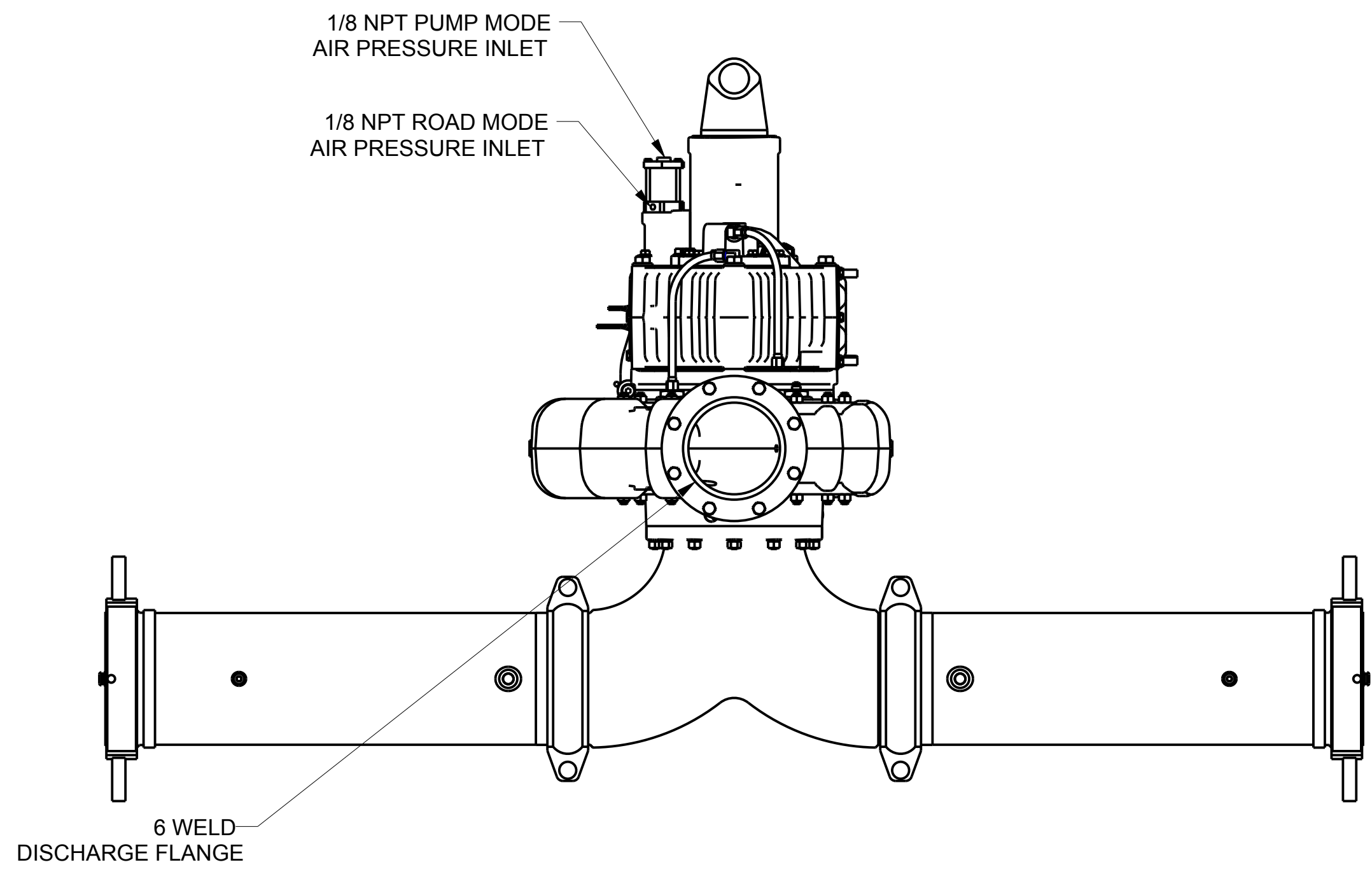
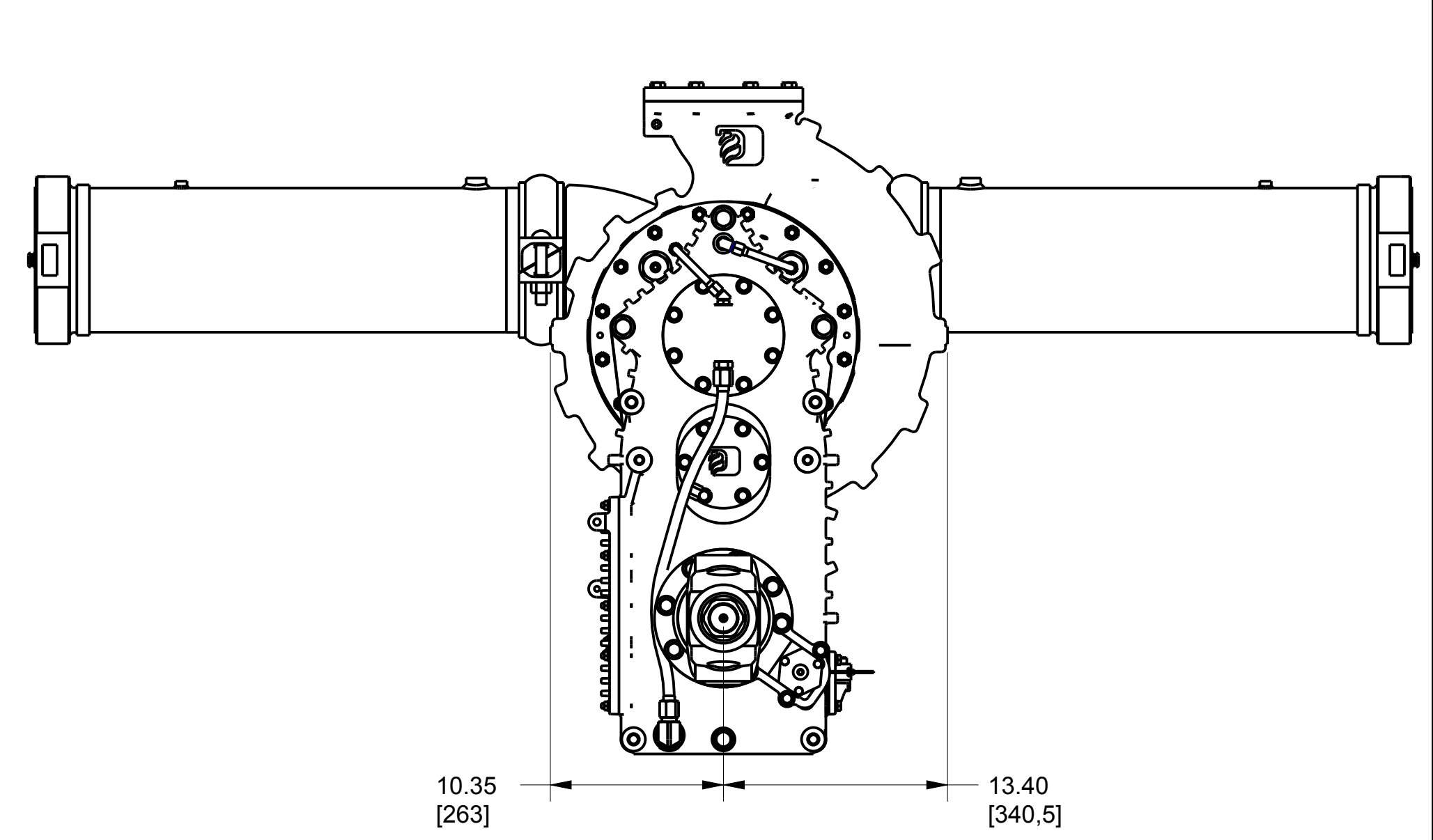
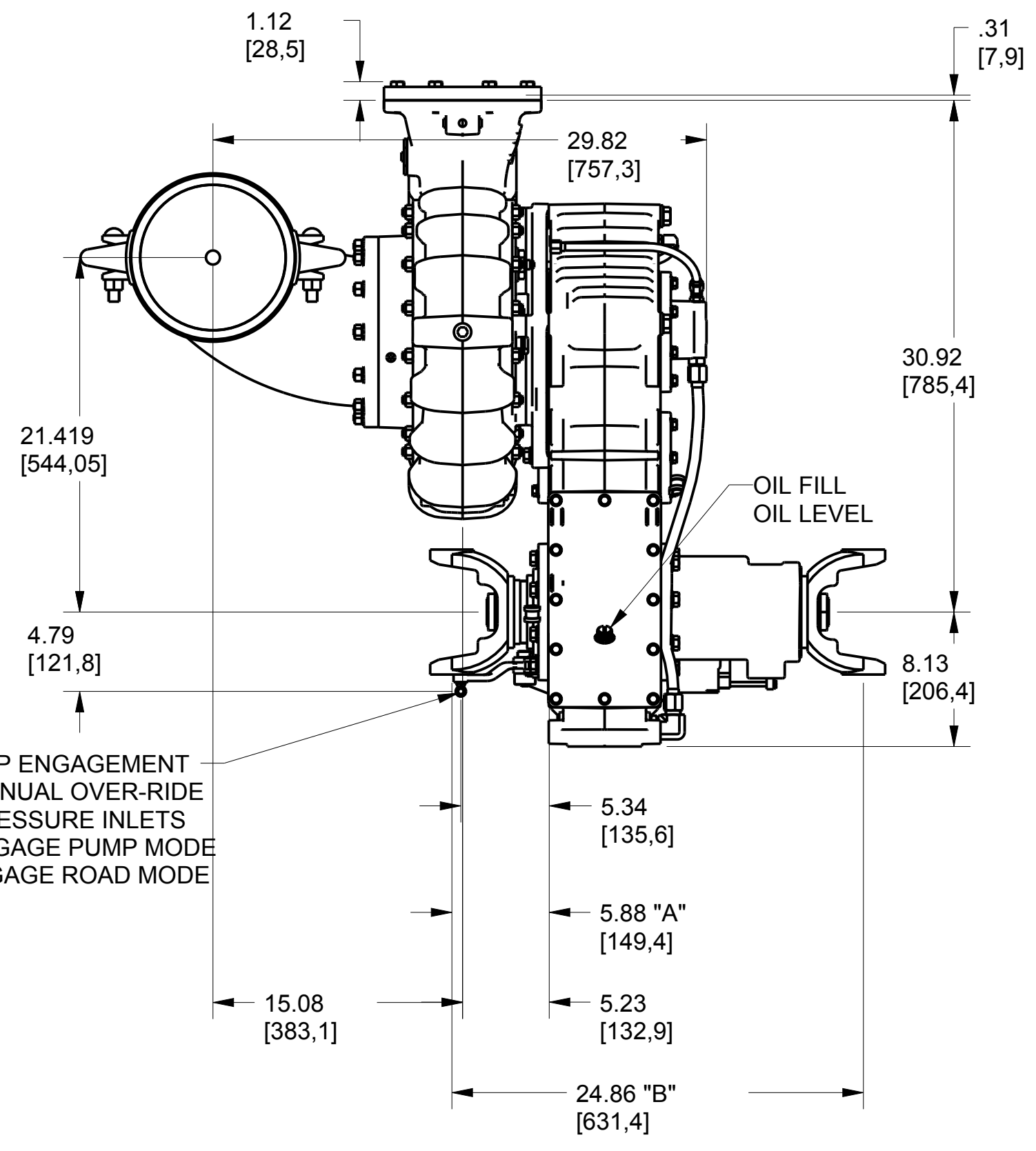
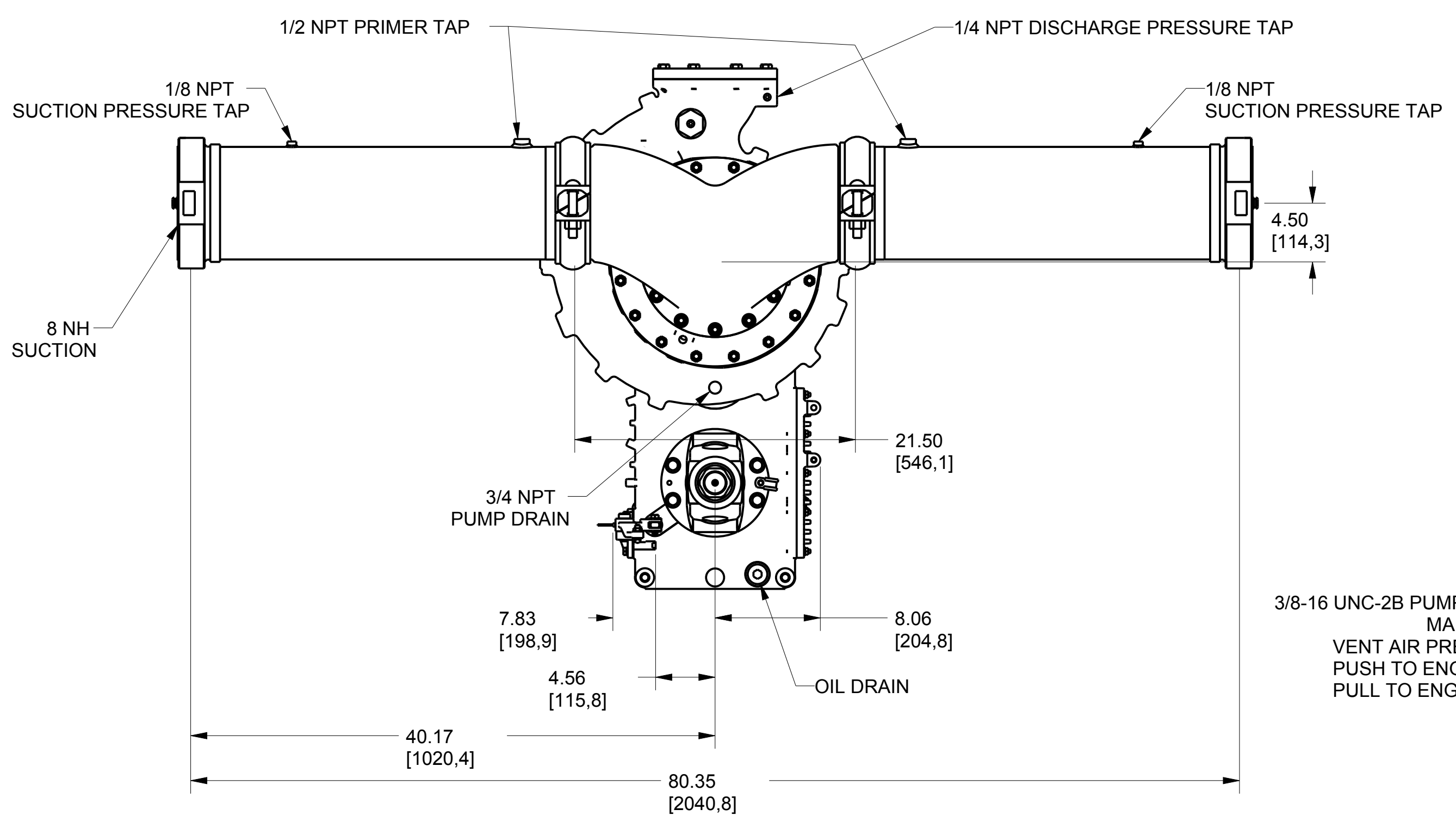


REVISIONS				
LTR	DESCRIPTION	DATE	CHG NO.	APPRD



YOKE SERIES	A	B
1550	5.75 [146.1]	24.60 [624.8]
1610	6.12 [155.4]	25.34 [643.6]
1710	5.63 [143.0]	24.36 [618.7]
1760	6.00 [152.4]	25.10 [637.5]
1810 (SHOWN)	5.88 [149.4]	24.86 [631.4]



VIEW FROM THE PUMP TO THE ENGINE

VIEW FROM THE ENGINE TO THE PUMP

MODEL NAME: DZD0003 MKL CREATED: 20JUL2010 SHEET: 1/1 D

REMOVE SHARP EDGES INCH (MILLIMETER) TOLERANCE EXCEPT AS NOTED: .00 ±.03, .000 ±.010, ANGLES ±1°

MATERIAL DESCRIPTION: MATERIAL NO.: PATTERN NO.: OLD PART NO.: W.S. Darley & Co. ITASCA, IL - CHIPPEWA FALLS, WI

THIS DESIGN IS THE PROPERTY OF W.S. DARLEY AND CO. - UNAUTHORIZED REPRODUCTION IS PROHIBITED ALL DIMENSIONS IN INCHES UNLESS NOTED DO NOT SCALE PRINT DRN: WAH CHKD: TRCD: DATE: 20JUL2010 SCALE: 1/8 DZD0003