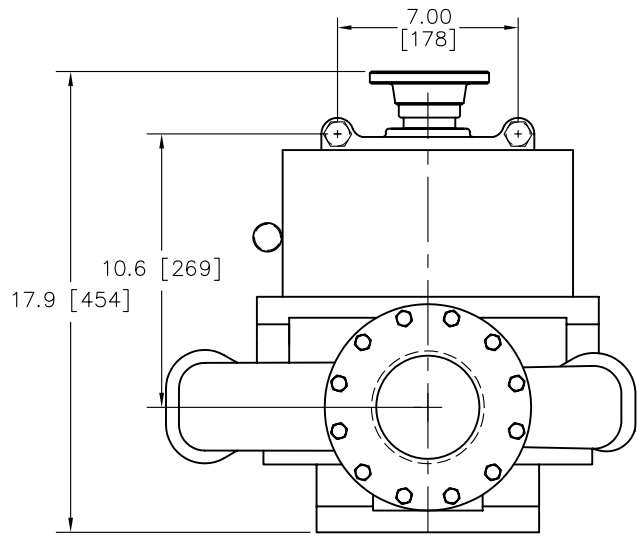
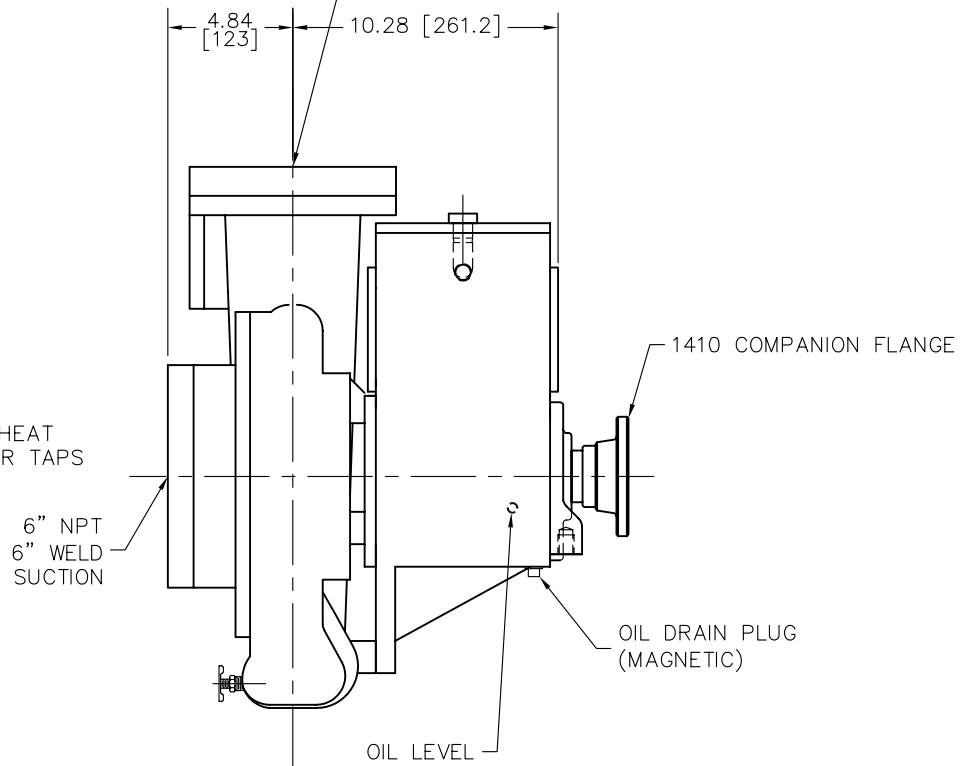
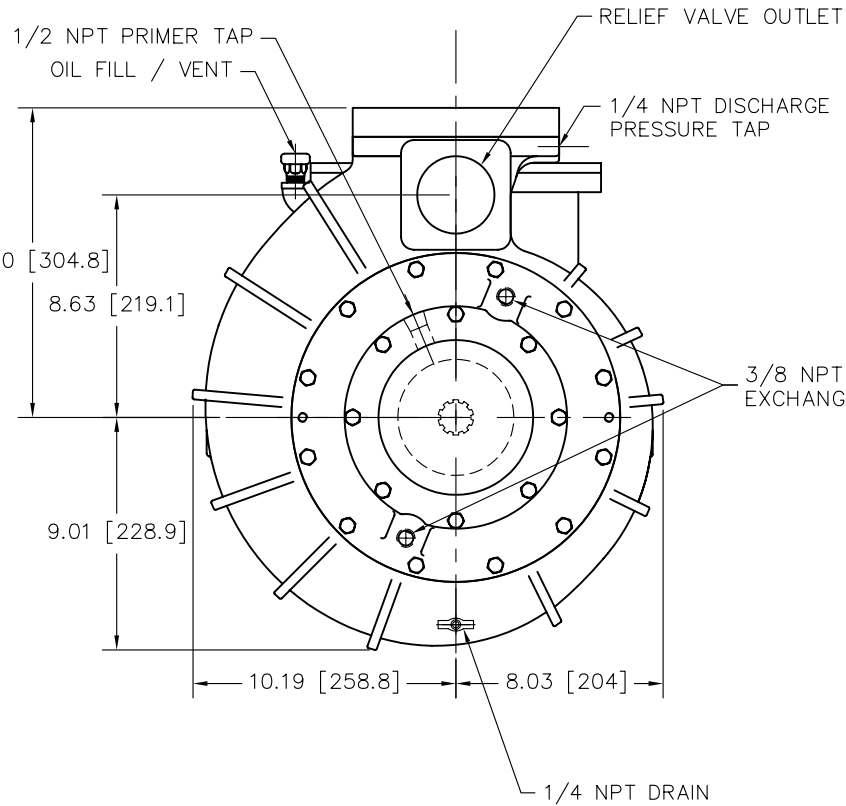


REVISIONS				
LTR	DESCRIPTION	DATE	CHG NO.	APPR'D



5" NPT, 5" WELD,
4" NPT, OR 4" WELD
DISCHARGE FLANGE
(OPTIONAL DISCHARGE AVAILABLE
ON REQUEST)



APPROXIMATE OIL CAPACITY: 11 FL. OZ. [.32 LITER]
APPROXIMATE WEIGHT: 325 LBS [147]

REMOVE SHARP EDGES

INCH [MILLIMETER]

MATERIAL DESCRIPTION:		MATERIAL NO.	PATTERN NO.	OLD PART NO.		W.S. DARLEY & Co. MELROSE PARK, IL - CHIPPEWA FALLS, WI
-		-	-	-		
THIS DESIGN IS THE PROPERTY OF W.S. DARLEY AND CO. - UNAUTHORIZED REPRODUCTION IS PROHIBITED		ALL DIMENSIONS IN INCHES UNLESS NOTED		DO NOT SCALE PRINT	DR'N TED CHKD TRCD	DWG - PSD DIMENSIONAL DATE OCT27,1998 SCALE 1/4
						DPD0700