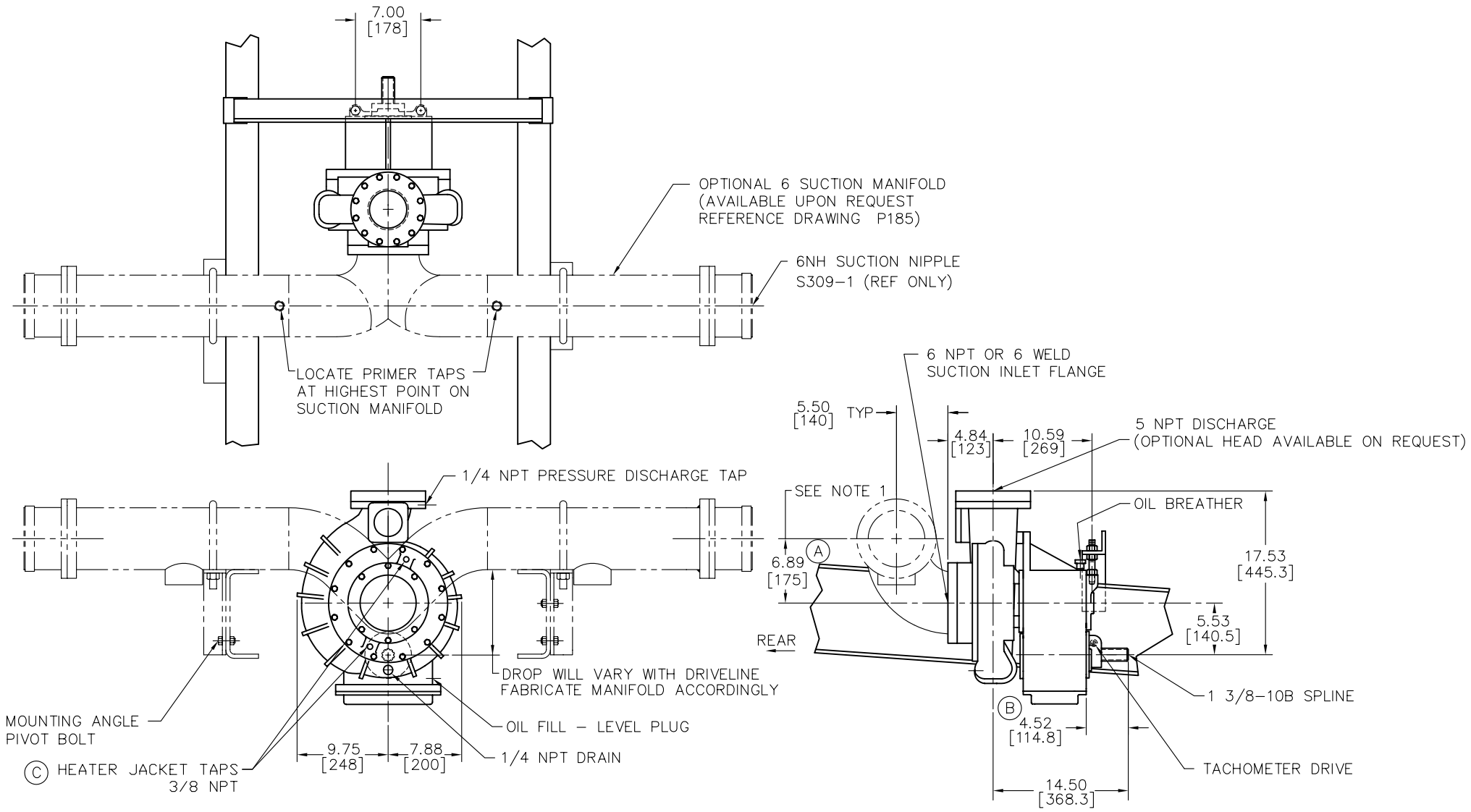


| REVISIONS | | | | |
|-----------|---------------------------------|---------|---------|--------|
| LTR | DESCRIPTION | DATE | CHG NO. | APPR'D |
| B | ADDED DIMENSION OF SHAFT LENGTH | 22JAN01 | - | DMD |
| C | ADDED HEATER JACKET TAPS | 22JAN01 | - | DMD |



NOTE:
 1) DIMENSION (A) IS REFERENCE TO A P185 MANIFOLD AND MAY VARY WITH DRIVELINE.

NET WEIGHT: 345 LBS [155 KG]

INCH [MILLIMETER]



OLD PART NO. P218

| |
|---------------------------|
| TOLERANCE EXCEPT AS NOTED |
| FRAC DIM ±.01 |
| .00 ±.01 |
| .000 ±.005 |
| ANGLES ±1° |
| DR'N TED |
| CHKD |
| TRCD |

W.S. DARLEY & CO.
 MELROSE PARK, IL - CHIPPEWA FALLS, WI
 DWG - PSP, 2 GEAR DIMENSIONAL

DATE MAR11,93
 SCALE 1/8

DPD0500

THIS DESIGN IS THE PROPERTY OF W.S. DARLEY AND CO. - UNAUTHORIZED REPRODUCTION IS PROHIBITED

ALL DIMENSIONS IN INCHES UNLESS NOTED

DO NOT SCALE PRINT