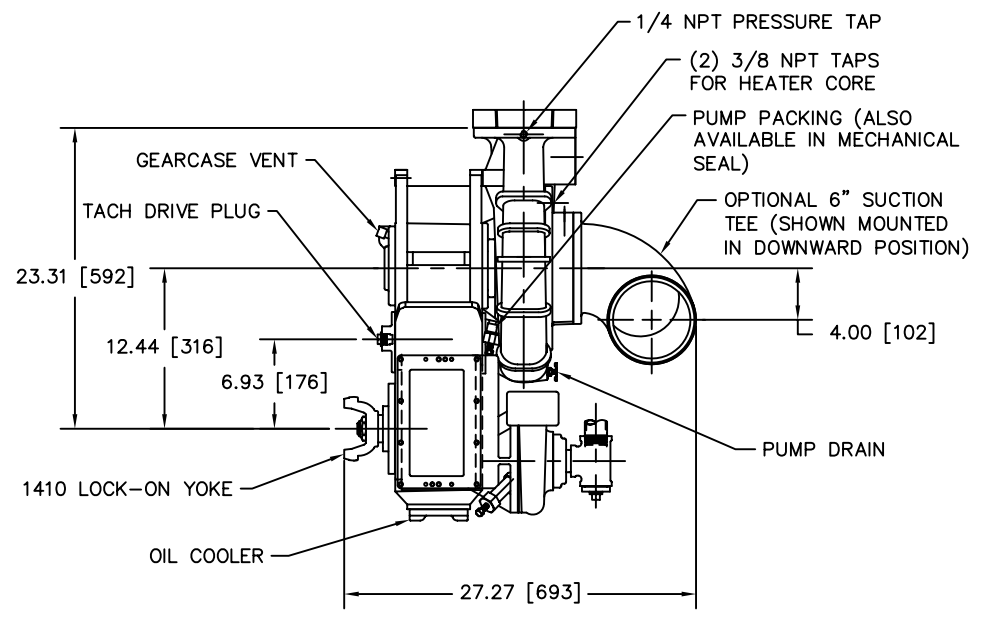
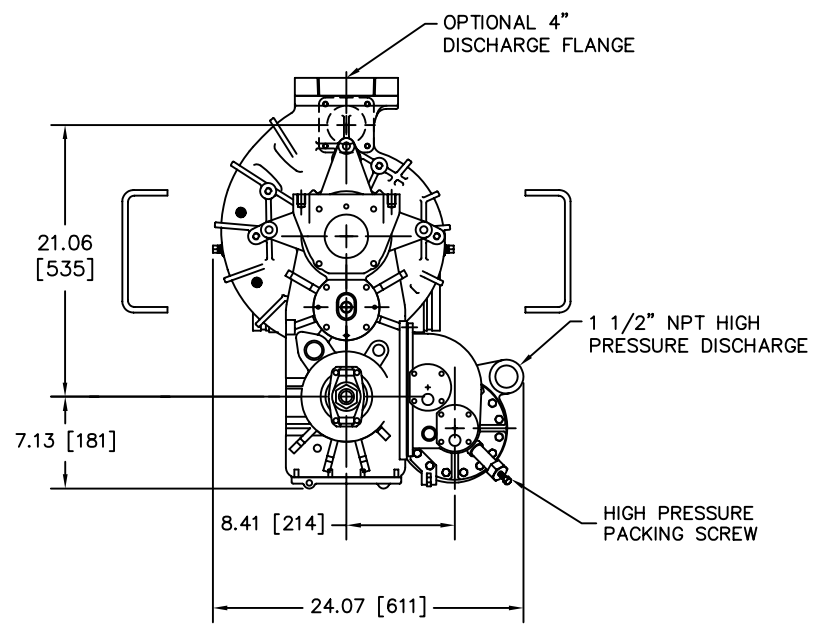
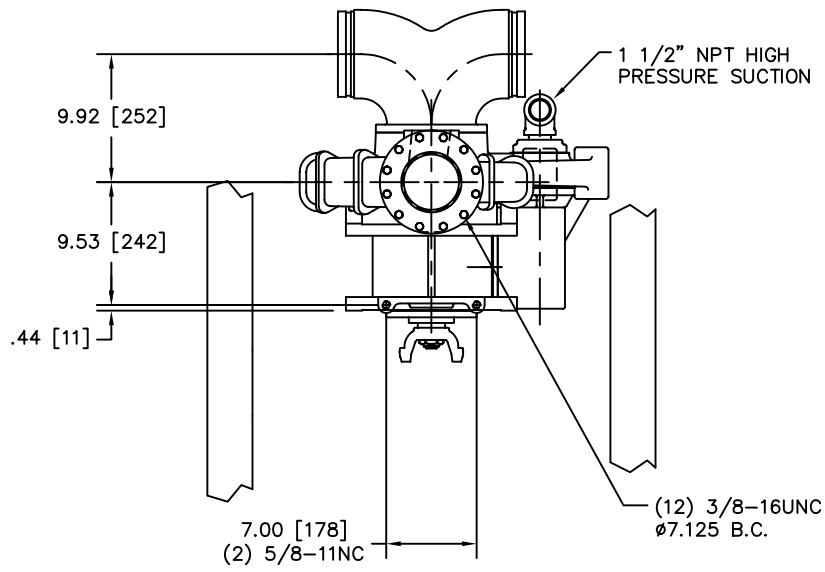


REVISIONS				
LTR	DESCRIPTION	DATE	CHG NO.	APPR'D



INCH [MILLIMETER]

OLD PART NO. -	TOLERANCE EXCEPT AS NOTED .00 ±.03 .000 ±.010 ANGLES ±1°	<b>W.S. DARLEY &amp; Co.</b> MELROSE PARK, IL - CHIPPEWA FALLS, WI
MATERIAL NO. -	PATTERN NO. -	DWG - PSPH, REAR, LOCKON YOKE DIMENSIONAL
DR'N CKE CHKD MCR TRCD		DATE 05NOV,2002
DO NOT SCALE PRINT		SCALE 1/8

MATERIAL DESCRIPTION: -

THIS DESIGN IS THE PROPERTY OF W.S. DARLEY AND CO. - UNAUTHORIZED REPRODUCTION IS PROHIBITED

ALL DIMENSIONS IN INCHES UNLESS NOTED

**DPD0204**