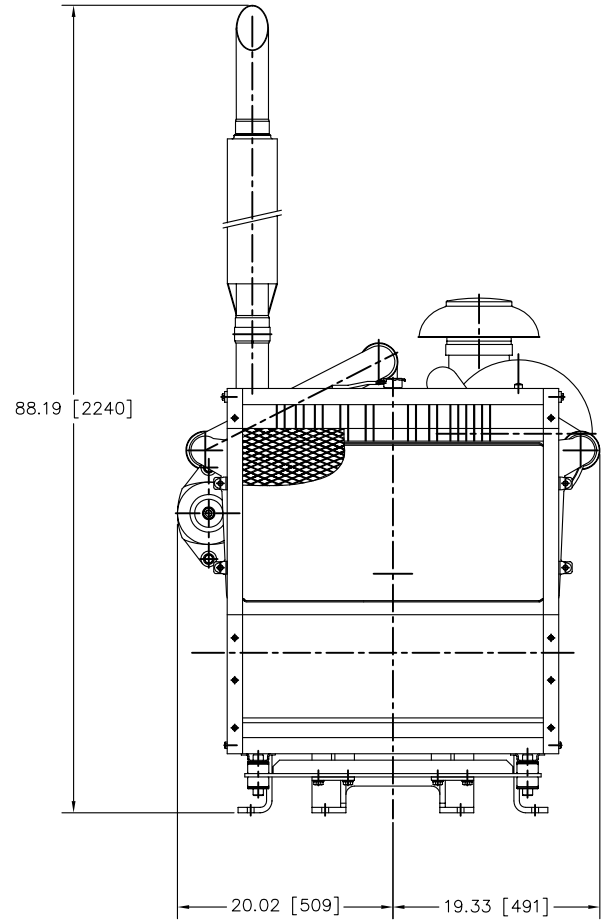
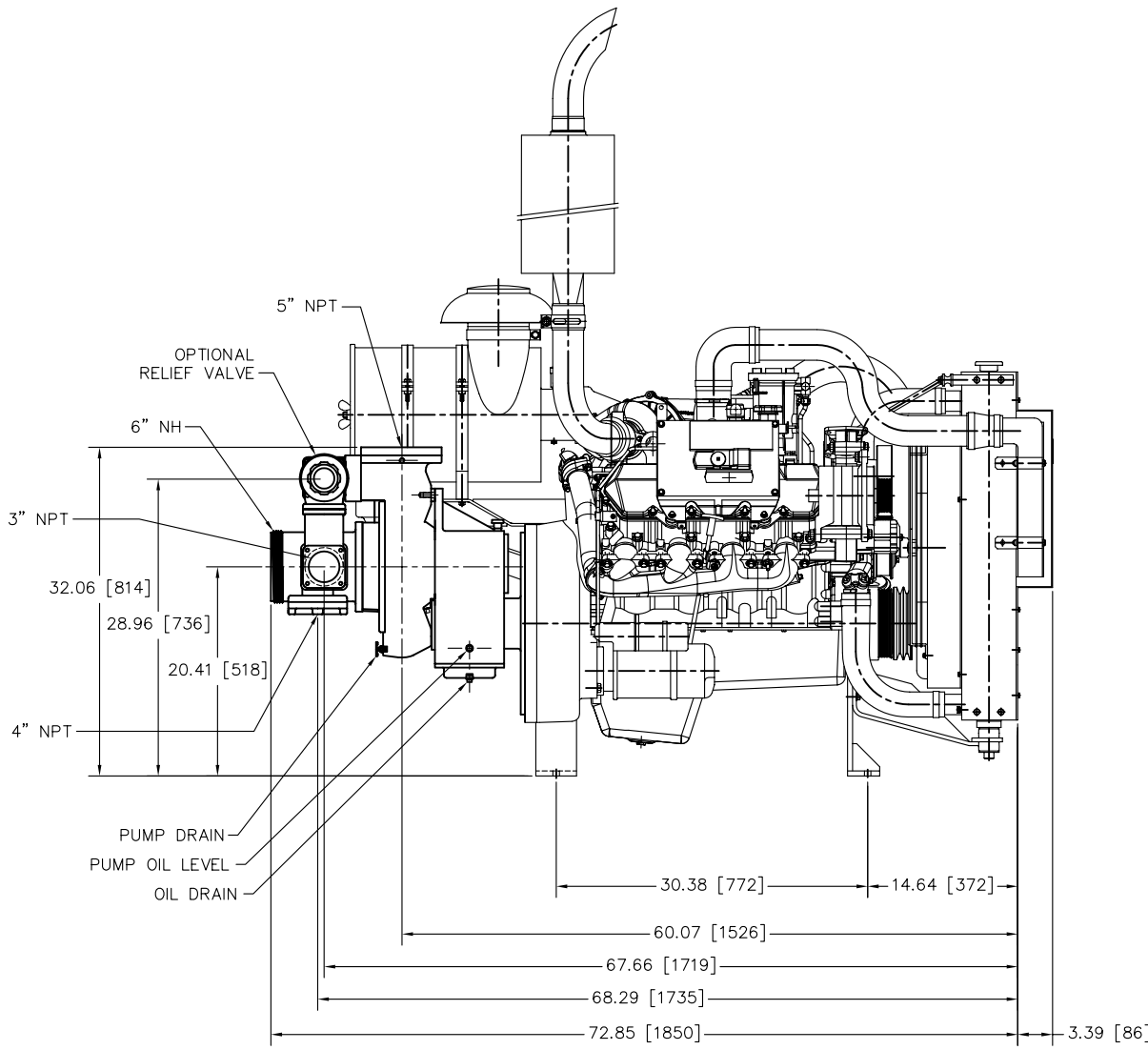


REVISIONS				
LTR	DESCRIPTION	DATE	CHG NO.	APPR'D



MATERIAL DESCRIPTION: —		MATERIAL NO. —	PATTERN NO. —	OLD PART NO. —	TOLERANCE EXCEPT AS NOTED 20 ±.03 200 ±.05 ANGLES 91°	W.S. DARLEY & Co. MELROSE PARK, IL - CHEPPONA FALLS, WI
THIS DESIGN IS THE PROPERTY OF W.S. DARLEY AND CO. - UNAUTHORIZED REPRODUCTION IS PROHIBITED		ALL DIMENSIONS IN INCHES UNLESS NOTED		DO NOT SCALE PRINT	DATE MAR21,02	DPD0103
DWG - PSE / FORD 7.3L		DRN JSS	CHKD MCR	TRD	SCALE 1/6	