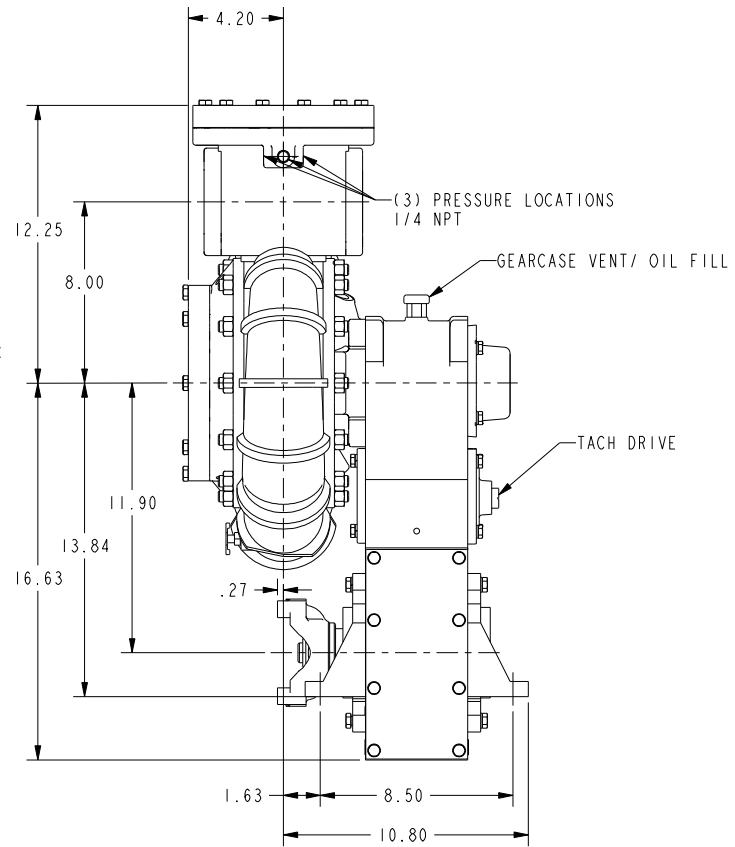
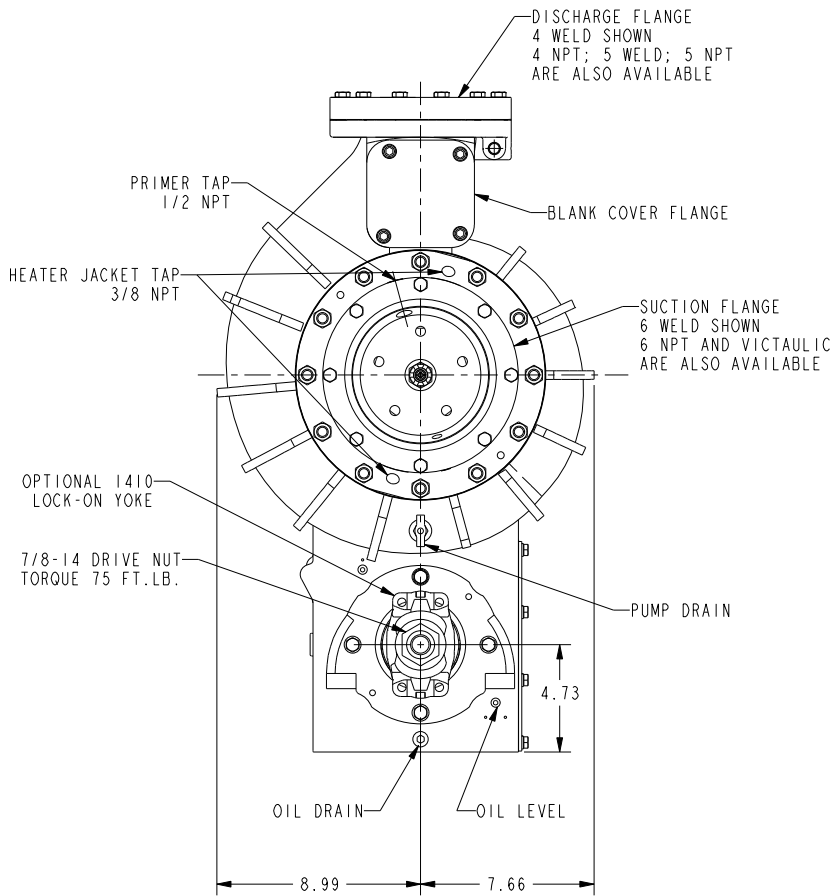
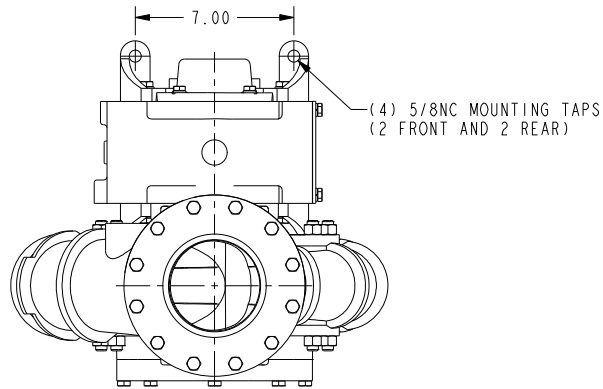


REVISIONS				
LTR	DESCRIPTION	DATE	CHG NO.	APPR'D



MODEL NAME: DLD0802 MDL CREATED: 11AUG00 SHEET: 1/1 C

REMOVE SHARP EDGES

INCH
(MILLIMETER)



THIRD ANGLE PROJECTION

OLD PART NO.

TOLERANCE
EXCEPT
AS NOTED

W.S. Darley & Co.
CHIPPewa FALLS, WI - MELROSE PARK, IL

MATERIAL DESCRIPTION: - - - -

MATERIAL NO.

PATTERN NO.

DR: N JSS

DATE 03-Sep-03

THIS DESIGN IS THE PROPERTY OF
W.S. DARLEY AND CO. UNAUTHORIZED
REPRODUCTION IS PROHIBITED

ALL DIMENSIONS IN
INCHES UNLESS NOTED

DO NOT SCALE PRINT

CHKD TED
TRCD

SCALE 1/4

DLD0802