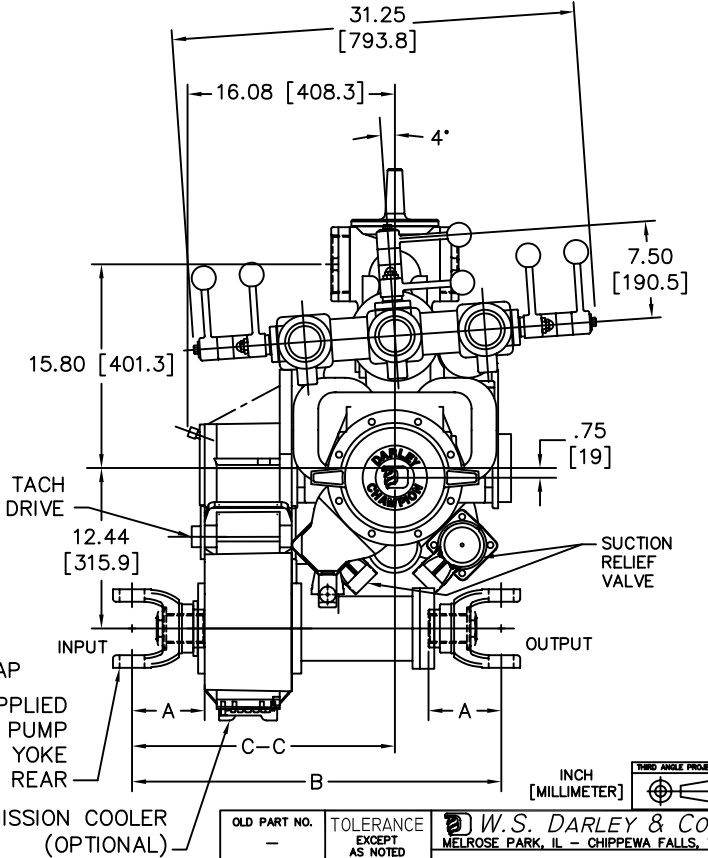
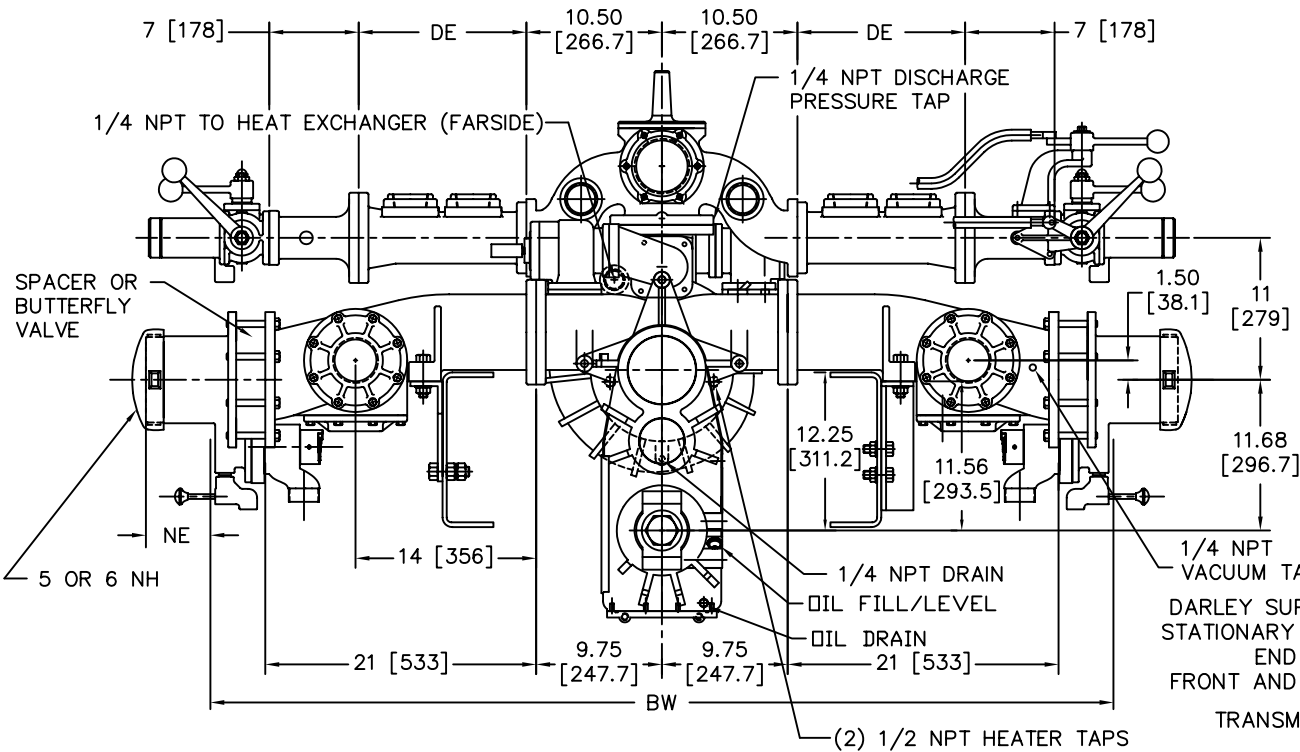


REVISIONS				
LTR	DESCRIPTION	DATE	CHG NO.	APPR'D
A	1/4 NPT VACUUM TAP WAS 1/8 NPT VACUUM TAP	05/28/04	2004-133	JCD

YOKE SERIES	A	B	C-C
1550	5.75 [146.1]	28.90 [734.1]	20.50 [520.7]
1610	6.12 [155.4]	29.64 [752.9]	20.88 [530.4]
1710	5.63 [143.0]	28.66 [728.0]	20.38 [517.7]
1760	6.00 [152.4]	29.40 [746.76]	20.75 [527.1]
1810	5.88 [149.4]	29.16 [740.7]	20.63 [524.0]

SEE DRAWING DNM000  
FOR DRIVELINE PART DETAILS

BODY PANEL DIMENSIONS		
BW	NE	DE
70 [1778]	5 [127]	13 [330]
72 [1829]	4 [102]	14 [356]



FOR MOUNTING BRACKET  
DIMENSIONS SEE DETAIL  
DRAWING DGM1300

NET WEIGHT: 1200 LBS

MATERIAL DESCRIPTION: -	MATERIAL NO. -	PATTERN NO. -	OLD PART NO. -	TOLERANCE EXCEPT AS NOTED .00 ±.03 .000 ±.010 ANGLES ±1°	W.S. DARLEY & Co. MELROSE PARK, IL - CHIPPEWA FALLS, WI DWG - LDM, PUMP REAR DATE 03NOV03 SCALE 1/8
THIS DESIGN IS THE PROPERTY OF W.S. DARLEY AND CO. - UNAUTHORIZED REPRODUCTION IS PROHIBITED			DR'N JSS CHKD TED TRCD	DATE 03NOV03	
ALL DIMENSIONS IN INCHES UNLESS NOTED			DO NOT SCALE PRINT	SCALE 1/8	

DLD0058