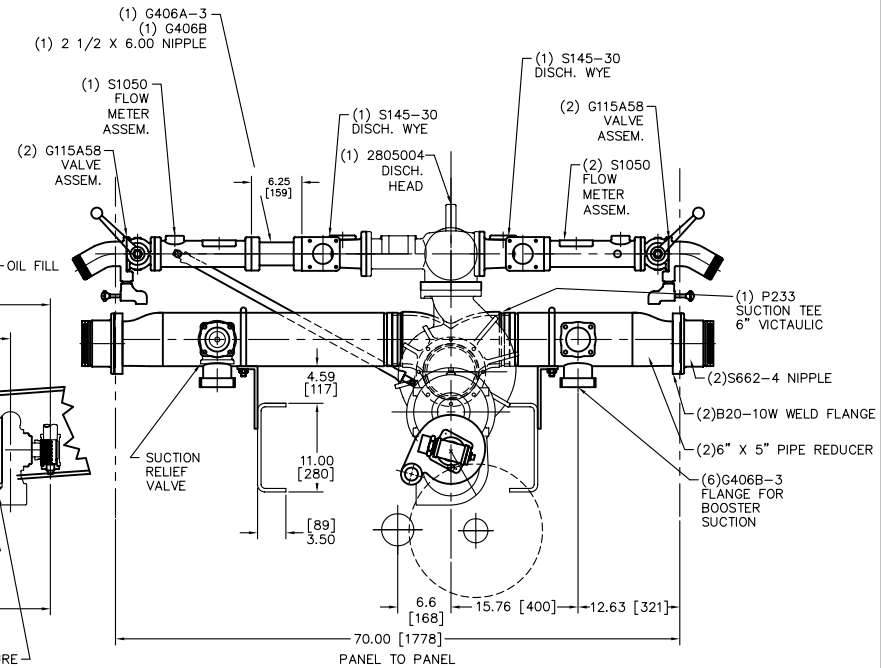
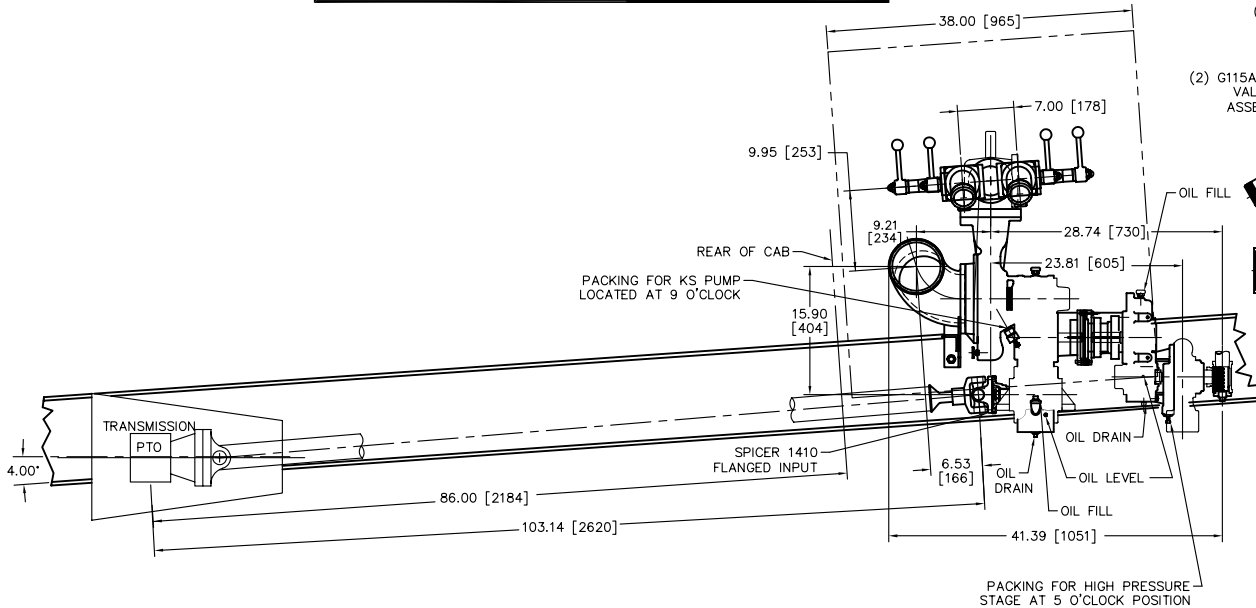
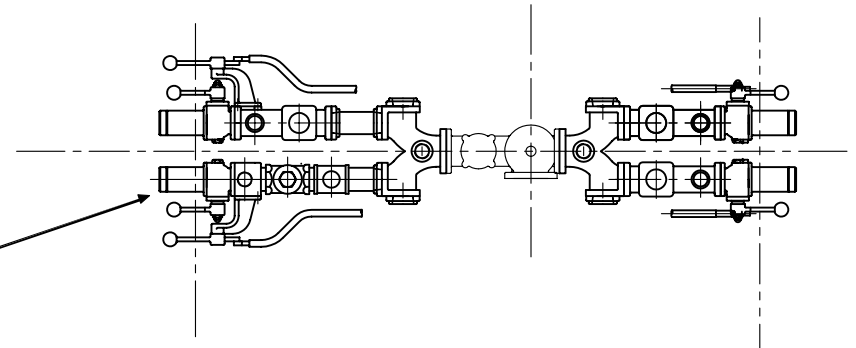
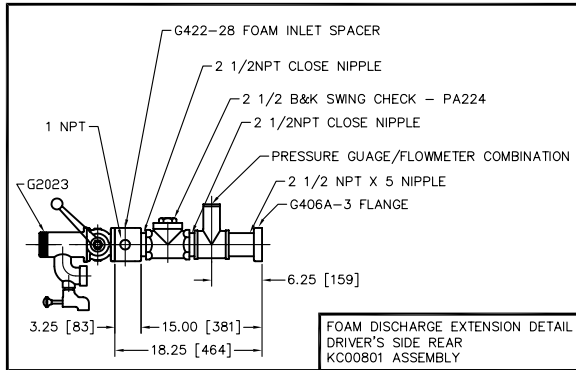


REVISIONS				
LT#	DESCRIPTION	DATE	CHG NO.	APPR'D
-	-	-	-	-



1060 LB
480 KG

TOLERANCE EXCEPT AS NOTED FRACTIONAL DIMENSIONS UNLESS ST	W.S. DARLEY & CO. MECHANICAL DEPARTMENT - CHIPPEWA FALLS, WI	DATE: APROS.95
		SCALE: 1/8
OLD PART NO. X4627-5	DWG. NO. KSP4H INSTALLATION LAYOUT	DATE: APROS.95
DRN: TED	CHKD: CHD	TRCD: TRCD

THIS DESIGN IS THE PROPERTY OF W.S. DARLEY AND CO. - UNAUTHORIZED REPRODUCTION IS PROHIBITED

ALL DIMENSIONS IN INCHES UNLESS NOTED

DO NOT SCALE PRINT

DKD0705