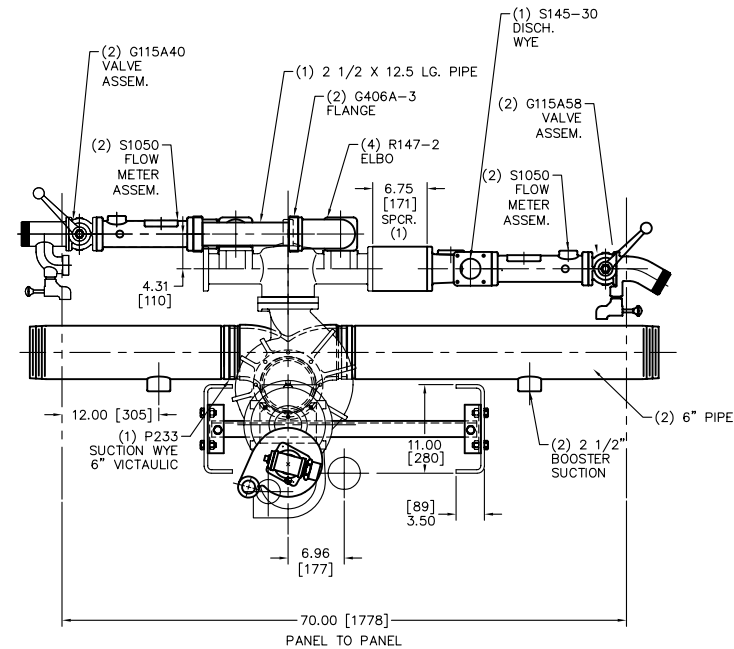
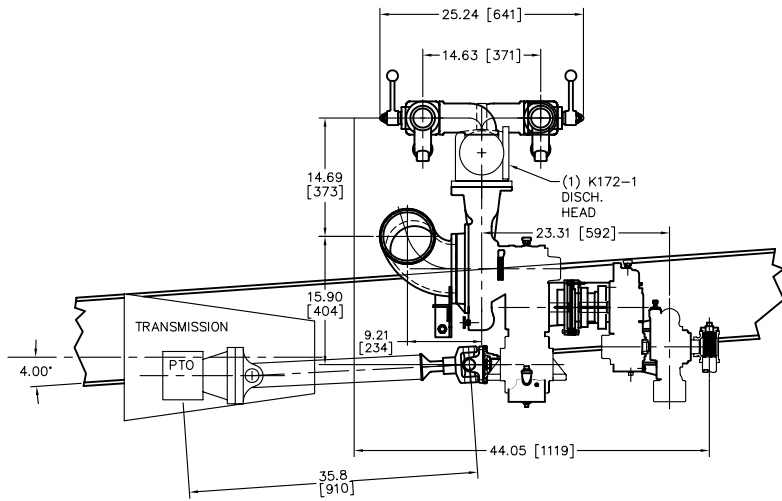


REVISIONS				
LTR	DESCRIPTION	DATE	CHG NO.	APPR'D



TOLERANCE EXCEPT AS NOTED FRACTIONAL DIMENSIONS UNLESS ST.
 OLD PART NO. X4627
 DWG. T.E.D. DATE OCT. 7.94
 CHFD INSTALLED
 DWG. T.E.D. DATE OCT. 7.94
 CHFD INSTALLED
 SCALE 1/8
W.S. DARLEY & CO.
 MICROSOFT, P.O. BOX 111 - CHIPPEWA FALLS, WI
 DWG. - KSPA11
 INSTALLATION LAYOUT
DKD0700

