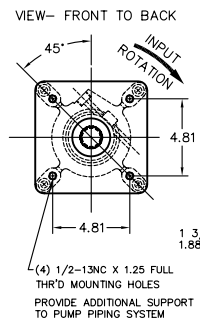
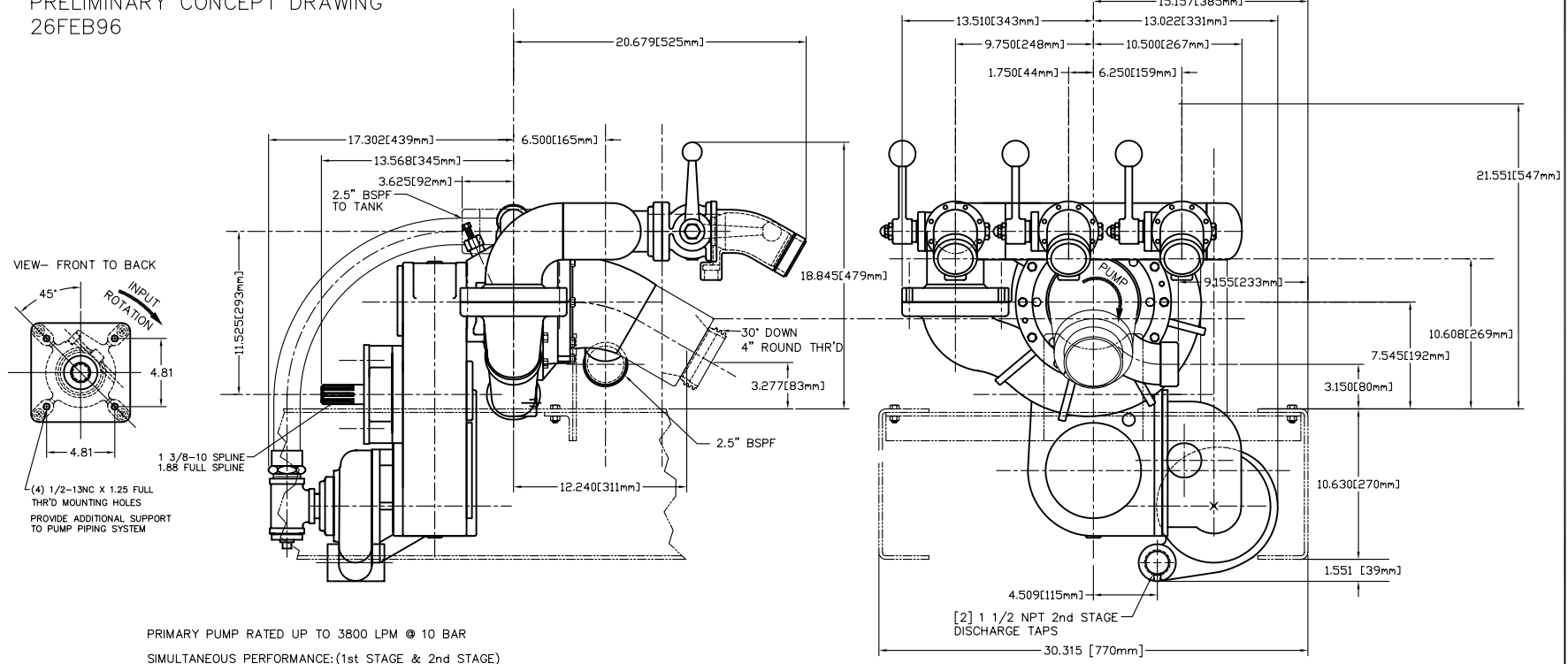


REVISIONS		DATE	CHG. NO.	APPROV.
LTR	DESCRIPTION			

PRELIMINARY CONCEPT DRAWING  
26FEB96



PRIMARY PUMP RATED UP TO 3800 LPM @ 10 BAR  
 SIMULTANEOUS PERFORMANCE: (1st STAGE & 2nd STAGE)  
 3030 LPM @ 10 BAR & 760 LPM @ 22 BAR  
 3400 LPM @ 10 BAR & 380 LPM @ 27 BAR  
 1140 LPM @ 17 BAR & 760 LPM @ 35 BAR  
 1500 LPM @ 17 BAR & 380 LPM @ 39 BAR  
 380 LPM @ 21 BAR & 760 LPM @ 42 BAR  
 760 LPM @ 21 BAR & 380 LPM @ 46 BAR

APPROX WEIGHT = 625 LBS  
[283 KG]

REMOVE SHARP EDGES

MATERIAL DESCRIPTION		MATERIAL NO.	PATTERN NO.	OLD PART NO. K752-1	TOLERANCE EXCEPT AS NOTED SEE 200 & 205 UNLESS ST	DATE 26FEB96	SCALE 1/4
THIS DESIGN IS THE PROPERTY OF W.S. DARLEY AND CO. - UNAUTHORIZED REPRODUCTION IS PROHIBITED		DO NOT SCALE PRINT		W.S. DARLEY & Co. WILKINSON PARK, III - CHIPPEWA FALLS, WI		DIMENSIONAL	
ALL DIMENSIONS IN INCHES UNLESS NOTED				DWG - KSRH		DKD0205	