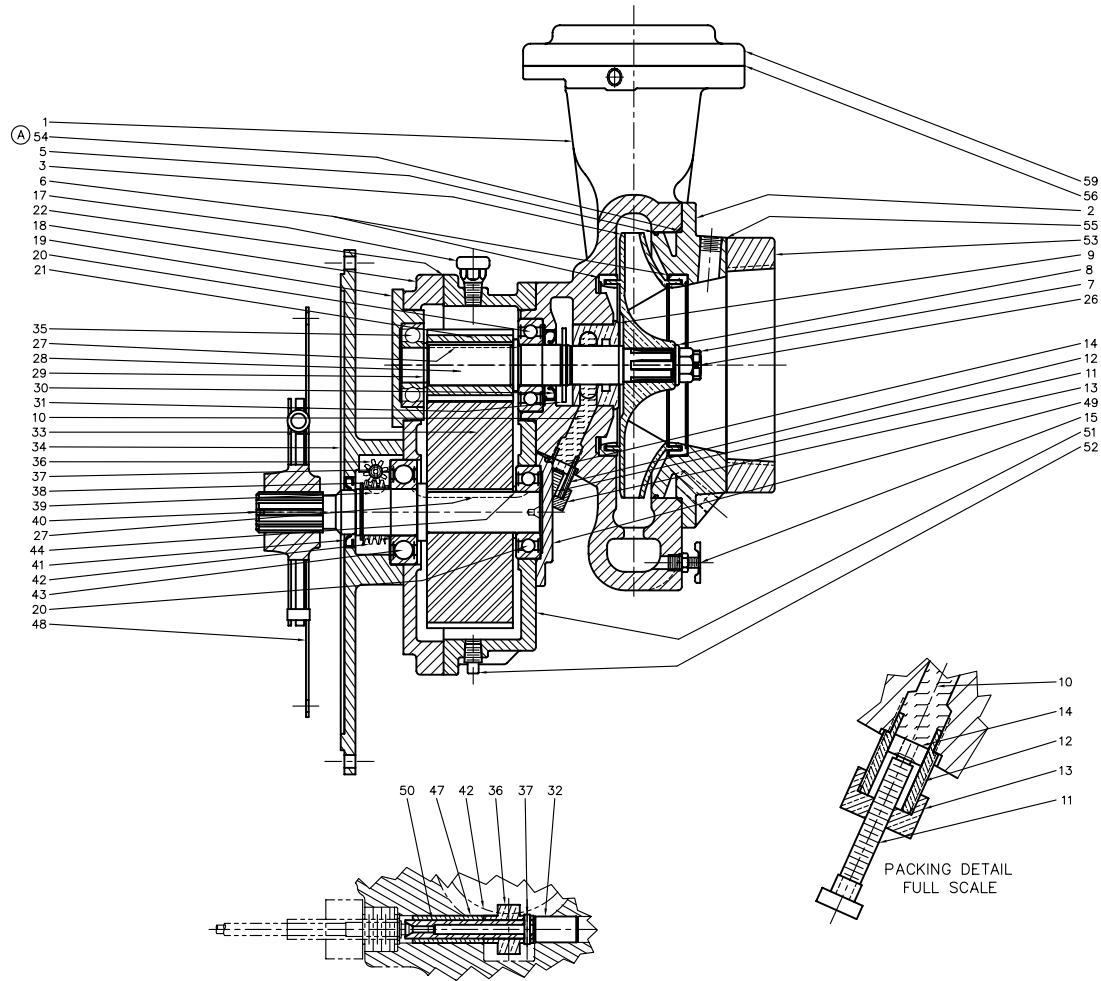


REP#	NAME OF PART	QTY
1	VOLUTE	1
2	SUCTION FITTING	1
3	IMPELLER	1
5	O'RING	1
6	SEAL RING	2
7	IMPELLER NUT	1
8	IMPELLER WASHER	1
9	STUFFING BOX	1
10	PACKING	1
11	PACKING PLUNGER STUD	1
12	PACKING PLUNGER GUIDE	1
13	GLAND NUT	1
14	PACKING PLUNGER	1
15	DRAIN COCK	1
17	VENT - GEARCASE	1
18	COVER - GEARCASE	1
19	BEARING CAP	1
20	BEARING	2
21	PINION GEAR	1
22	GASKET - TRANSMISSION	1
26	COTTER KEY	1
27	KEY - 3/16 X 2 3/4	2
28	IMPELLER SHAFT	1
29	SPACER - IMPELLER SHAFT	1
30	OIL SEAS - IMPELLER SHAFT	1
31	WATER SLINGER	1
32	PLUG - TACH. SHAFT	1
33	DRIVE GEAR	1
34	ENGINE ADAPTER	1
35	BEARING - IMPELLER SHAFT	1
36	TACH. GEAR	1
37	PIN - TACH. GEAR	1
38	RETAINING RING	1
39	KEY - TACH. DRIVE	1
40	DRIVE SHAFT	1
41	OIL SEAL - DRIVE SHAFT	1
42	WORM - TACH. DRIVE	1
43	BEARING - DRIVE SHAFT	1
44	SPACER - DRIVE SHAFT	1
47	BEARING - TACH. SHAFT	1
48	DRIVE PLATE	1
49	BEARING CAP	1
50	SHAFT - TACH. DRIVE	1
51	GEARCASE	1
52	DRAIN PLUG - GEARCASE - MAGNETIC	1
53	SUCTION FLANGE - (REF)	1
54	O'RING	1
55	SUCTION GASKET - (REF)	1
56	DISCHARGE GASKET - (REF)	1
59	DISCHARGE FLANGE - (REF)	1



NOTE:
 1) THIS IS A REFERENCE DRAWING ONLY.
 SEE LAYOUT DRAWING FOR CORRECT
 ORIENTATION OF THE DRIVE PLATE (48).

(A) 54 READ 4 PRIOR TO 31MAY2001 TED

THIS DESIGN IS THE PROPERTY OF
 W.S. DARLEY AND CO. UNAUTHORIZED
 REPRODUCTION IS PROHIBITED

ALL DIMENSIONS IN
 INCHES UNLESS NOTED

DO NOT SCALE PRINT

OLD PART NO.
 K708



W.S. DARLEY & CO.
 MILWAUKEE PARK, I.L. - SHEPHERD FALLS, W.
 DWG - KSE CROSS SECTION
 PACKING

2 GEAR-KSE TRANSMISSION:KSEAS
 KSE PUMP (L/H ROTATION):KSA4

DATE OCT8,93
 SCALE 1/2

DKC1000