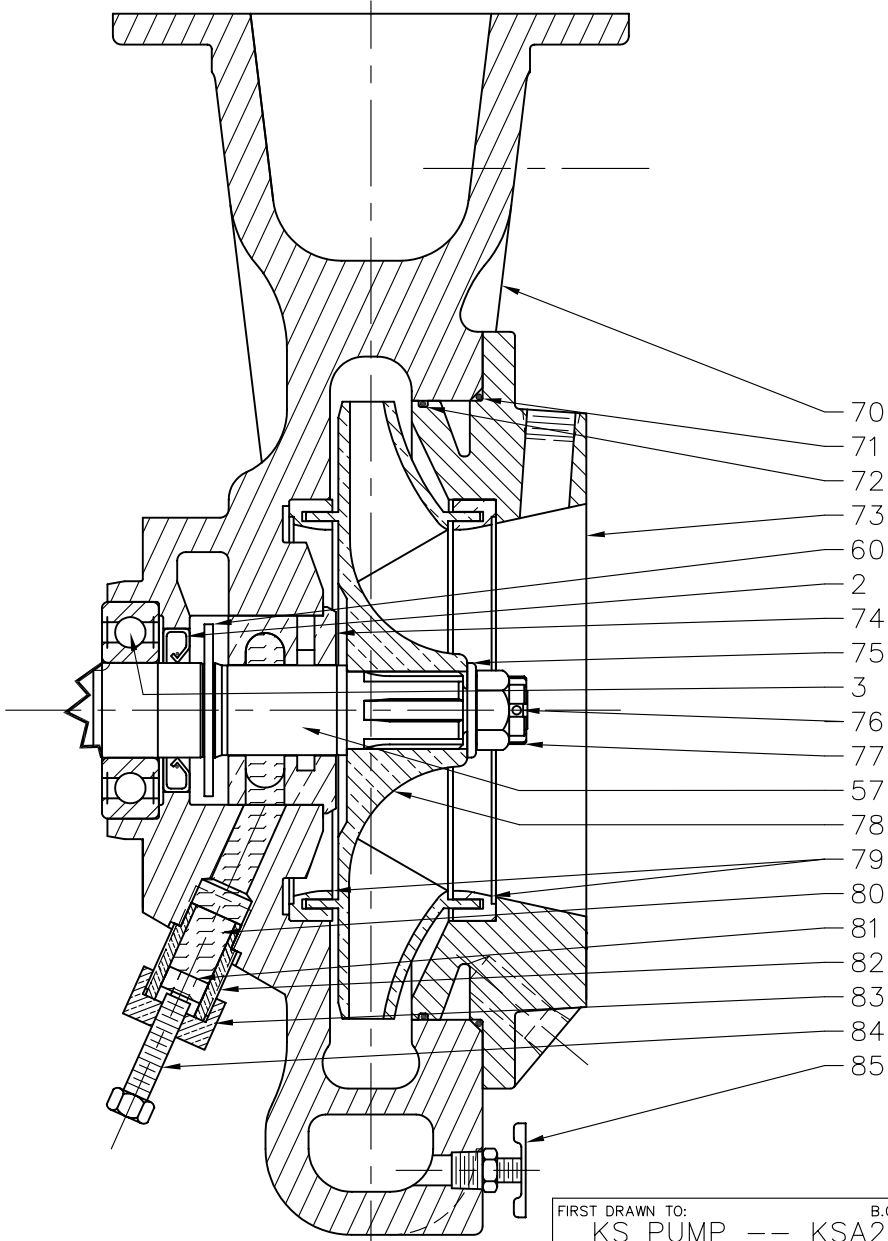


REVISIONS				
LTR	DESCRIPTION	DATE	CHG NO.	APPR'D
	REMOVED REF. TO RH IMPELLER	SEP22,95		DWS



REP #	NAME OF PART	QTY
2	OIL SEAL	1
3	BEARING	1
57	IMPELLER SHAFT	1
60	WATER SLINGER	1
70	VOLUTE	1
71	O'RING	1
72	O'RING	1
73	SUCTION HEAD	1
74	STUFFING BOX	1
75	WASHER - IMPELLER SHAFT	1
76	COTTER KEY - STAINLESS STEEL	1
77	IMPELLER NUT	1
78	IMPELLER	1
79	SEAL RINGS	2
80	PACKING	1
81	PACKING PLUNGER	1
82	PACKING PLUNGER GUIDE	1
83	GLAND NUT	1
84	PACKING PLUNGER STUD	1
85	DRAIN COCK	1

FIRST DRAWN TO: KS PUMP -- KSA2, KSA7  
 B.O.M. #:

THIS DESIGN IS THE PROPERTY OF  
 W.S. DARLEY AND CO. - UNAUTHORIZED  
 REPRODUCTION IS PROHIBITED

ALL DIMENSIONS IN  
 INCHES UNLESS NOTED

DO NOT SCALE PRINT

OLD PART NO.  
 K720



W.S. DARLEY & CO.  
 MELROSE PARK, IL - CHIPPEWA FALLS, WI

DWG - KS CROSS SECTION  
 PACKING

DR'N TED  
 CHKD  
 TRCD

DATE OCT17,94  
 SCALE 1/2

DKC0650