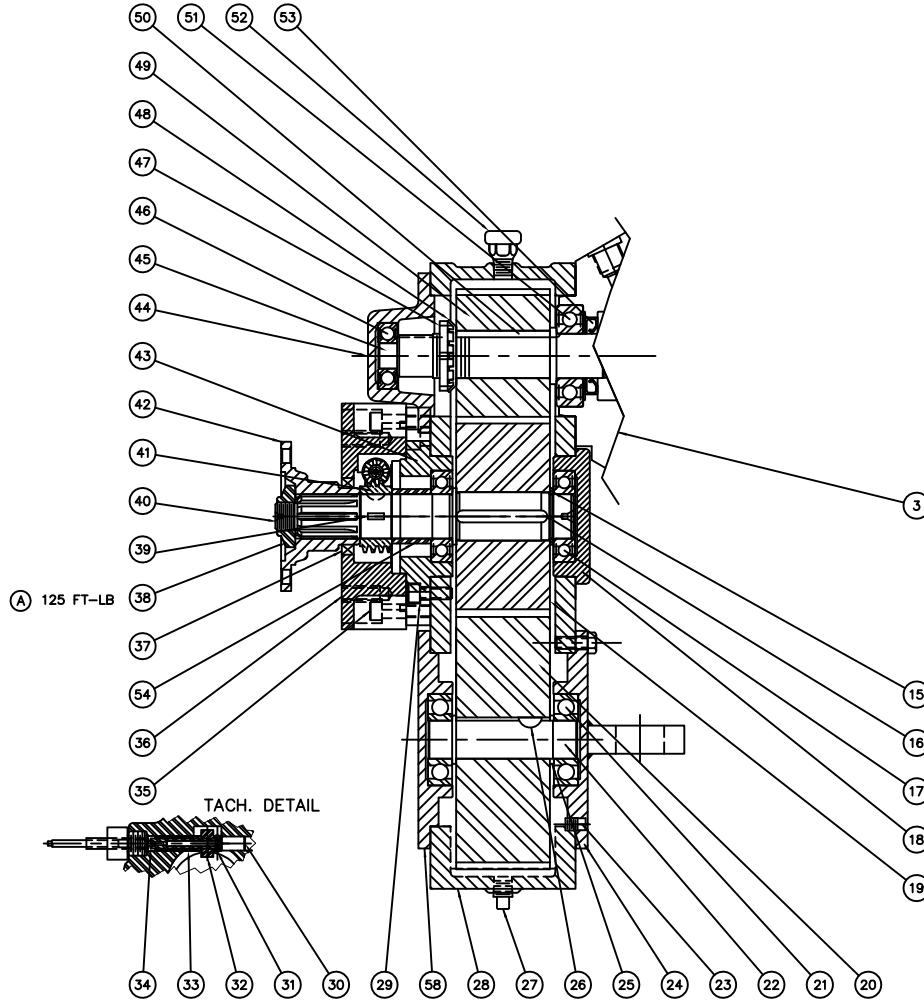


REVISIONS				
LTR	DESCRIPTION	DATE	CHG. NO.	APP'D
A	ADDED NOTE: 125 FT-LB	8/30/08	2008-231	AAN



Rep.No.	Name of Part	Qty.
3	Pump Volute	1
15	Drive Gear Spacer	1
16	Key, Input Gear	1
17	Bearing, Input Shaft	2
18	Bearing cap, input shaft	1
19	Drive Gear	1
20	Idler gear	1
21	Bearing, Idler Shaft	2
22	Idler Shaft	1
23	Oil Level Plug	1
24	Bearing Cap	1
25	Spacer, Idler Gear	1
26	Key, Idler Gear	1
27	Drain Plug	1
28	Transmission Case	1
29	Socket Head Cap Screw	4
30	Tachometer Plug	1
31	Tachometer Gear Pin	1
32	Tachometer Gear	1
33	Tachometer Bushing	1
34	Tachometer Drive Shaft	1
35	Socket Head Cap Screw	4
36	Mounting Plate	1
37	Oil Seal	1
38	Retaining Nut	1
39	Key, Tachometer Worm	1
40	Input Shaft	1
41	Tachometer Worm Gear	1
42	Companion Flange	1
43	Bearing Cap, Adapter	1
44	Pump Shaft Bearing Cap	1
45	Pump Shaft	1
46	Bearing, Pump Shaft	1
47	Lock Nut	1
48	Lock Washer	1
49	Pinion Gear	1
50	Key, Pinion Gear	1
51	Bearing, Pump Shaft	1
52	Gear Case Vent	1
53	Oil Seal	1
54	Spacer, Input Shaft	1
58	Bearing Cap	1

REF SPECS: TP00311



PART NO.	DATE	CHANGE
TOLERANCE EXCEPT AS NOTED	W.S. DARLEY & CO. MELROSE PARK, ILL. - CHICAGO FALLS, WIS.	
PART NO.	KSRH ASSEMBLY	
DATE	JULY01,98	
SCALE	1/2	
PKC0400		

MATERIAL:	PATTERN NO.	DATE	SCALE	PKC0400
THIS DESIGN IS THE PROPERTY OF W.S. DARLEY AND CO. - UNAUTHORIZED REPRODUCTION IS PROHIBITED	ALL DIMENSIONS IN INCHES UNLESS NOTED	DO NOT SCALE PRINT	SCALE 1/2	PKC0400