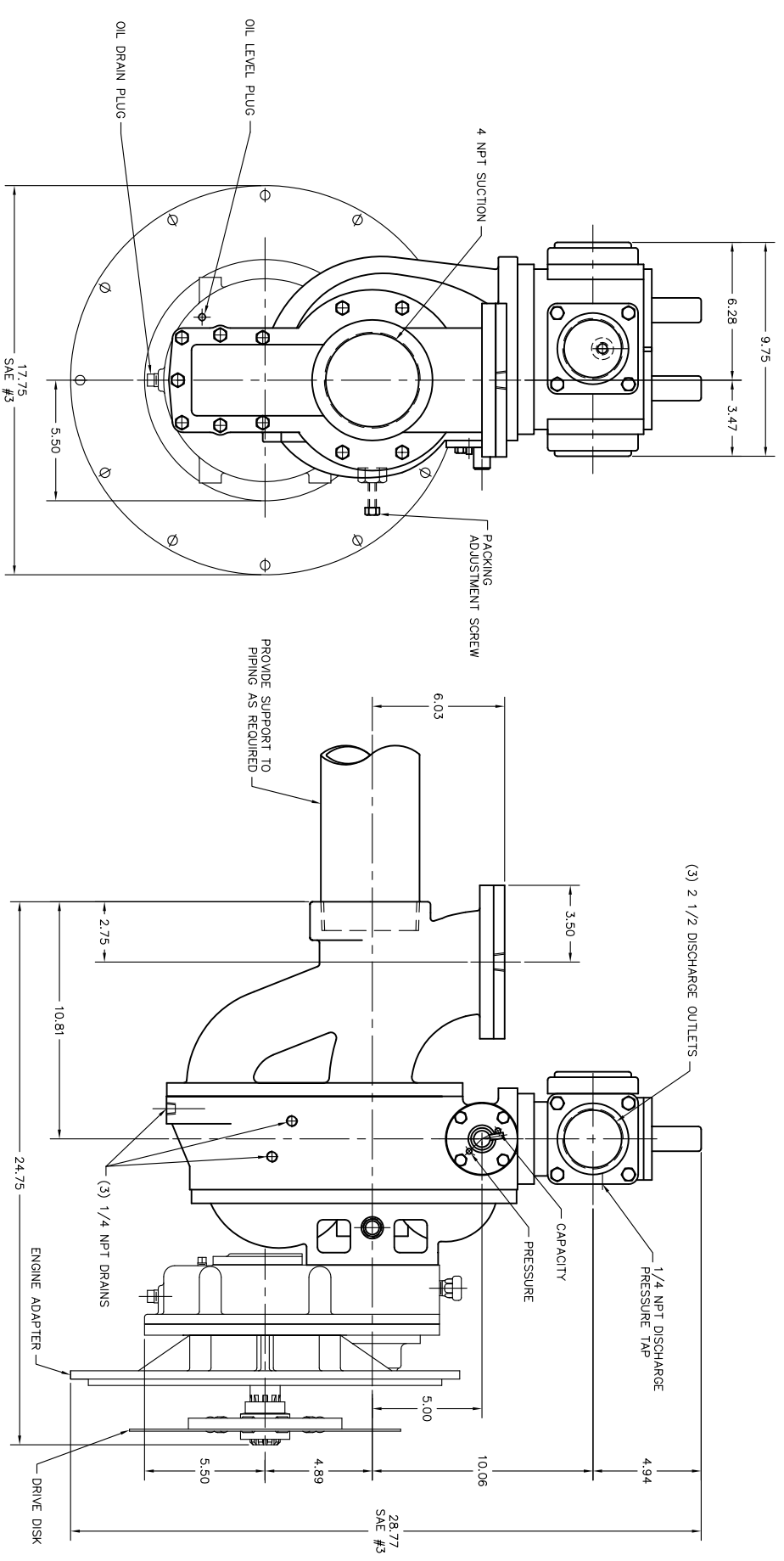


REV	DESCRIPTION	DATE	CHG. NO.	APPROD



REMOVE SHARP EDGES

INPUT SHAFT ABOVE
SHOWN WITH OPTIONAL
POWER STAGING VALVE

MATERIAL DESCRIPTION: _____		OLD PART NO. _____		TOLERANCE		 W.S. DARLEY & CO MELROSE PARK, IL - CHIPPewa FALLS, WI DIMENSIONAL
THIS DESIGN IS THE PROPERTY OF W.S. DARLEY & CO. UNAUTHORIZED REPRODUCTION IS PROHIBITED.		PATTERN NO. _____		EXACTED		
ALL DIMENSIONS IN INCHES UNLESS NOTED		MATERIAL NO. _____		AS NOTED		
DO NOT SCALE PRINT		PATTERN NO. _____		.00 ±.03		DATE JUN17.03
SCALE 1/4		PATTERN NO. _____		ANGLES ±1°		SCALE 1/4
DO NOT SCALE PRINT		PATTERN NO. _____		GRN .JSS		 THIRD ANGLE PROJECTION
DO NOT SCALE PRINT		PATTERN NO. _____		CHD MCR		
DO NOT SCALE PRINT		PATTERN NO. _____		TRD		DJD0106