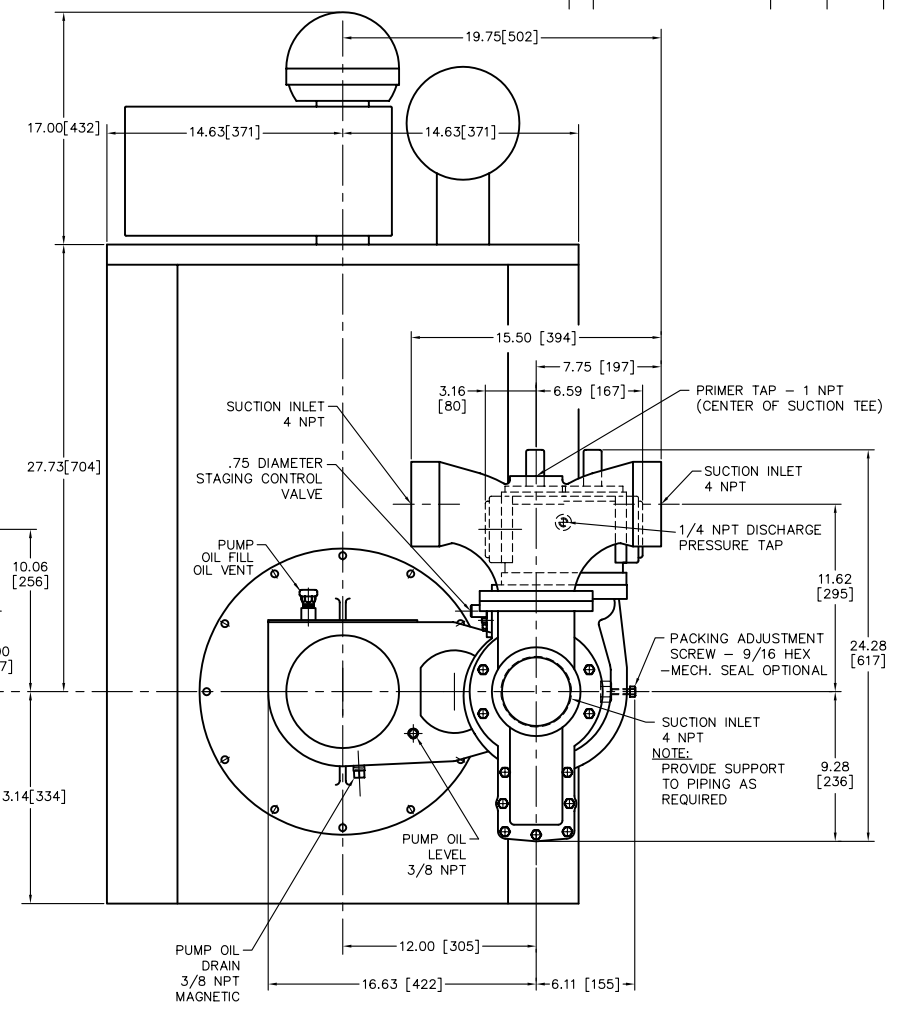
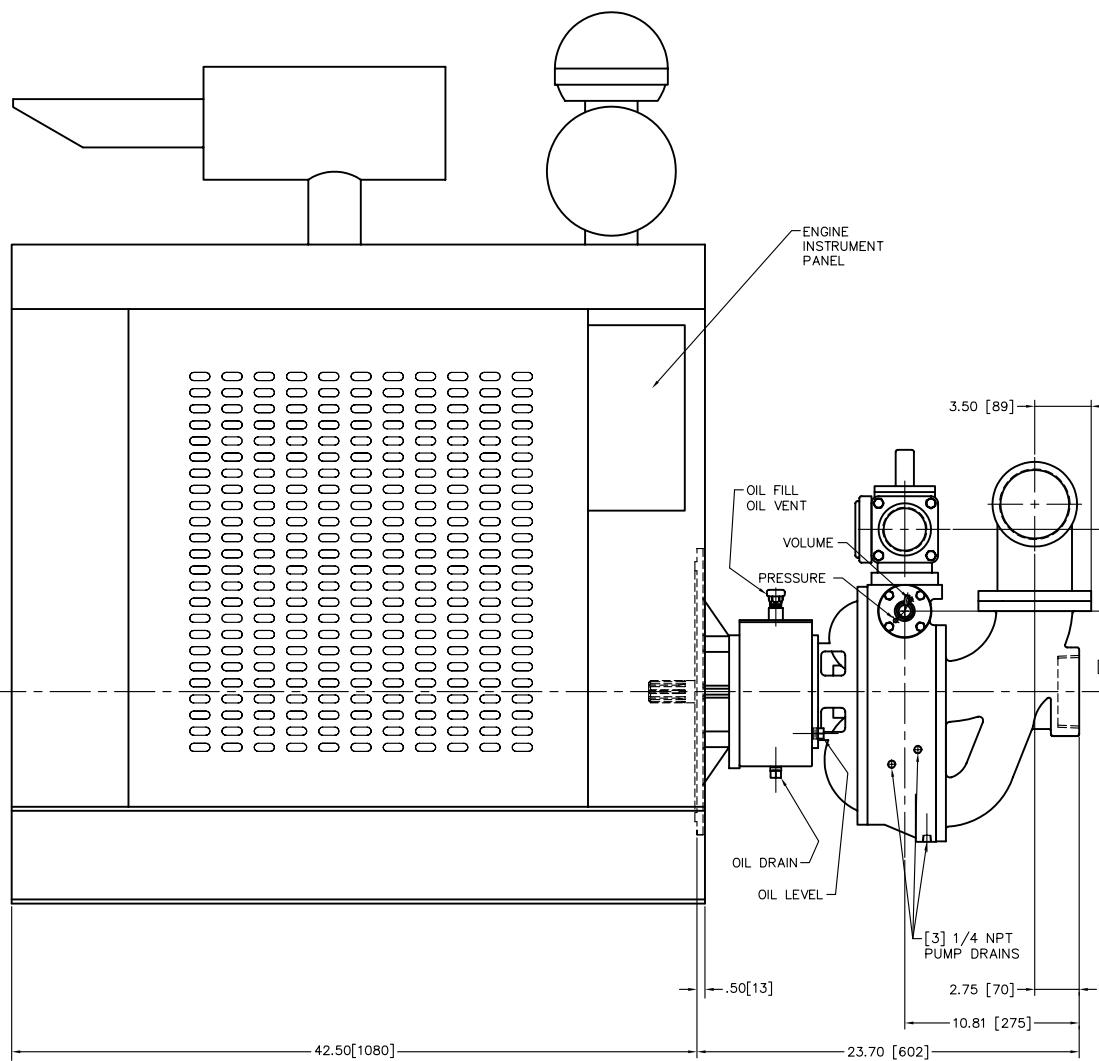


REVISIONS				
LT	DESCRIPTION	DATE	CHG NO.	APPR'D



- APPROXIMATE WEIGHT - 1100 LBS [499 KG]
- USE SAE 10W/40 SF, SG, OR SH GRADE MOTOR OIL IN THE PUMP GEARCASE
- DIMENSIONS ARE APPROXIMATE, AND ARE SUBJECT TO CHANGE WITHOUT NOTICE