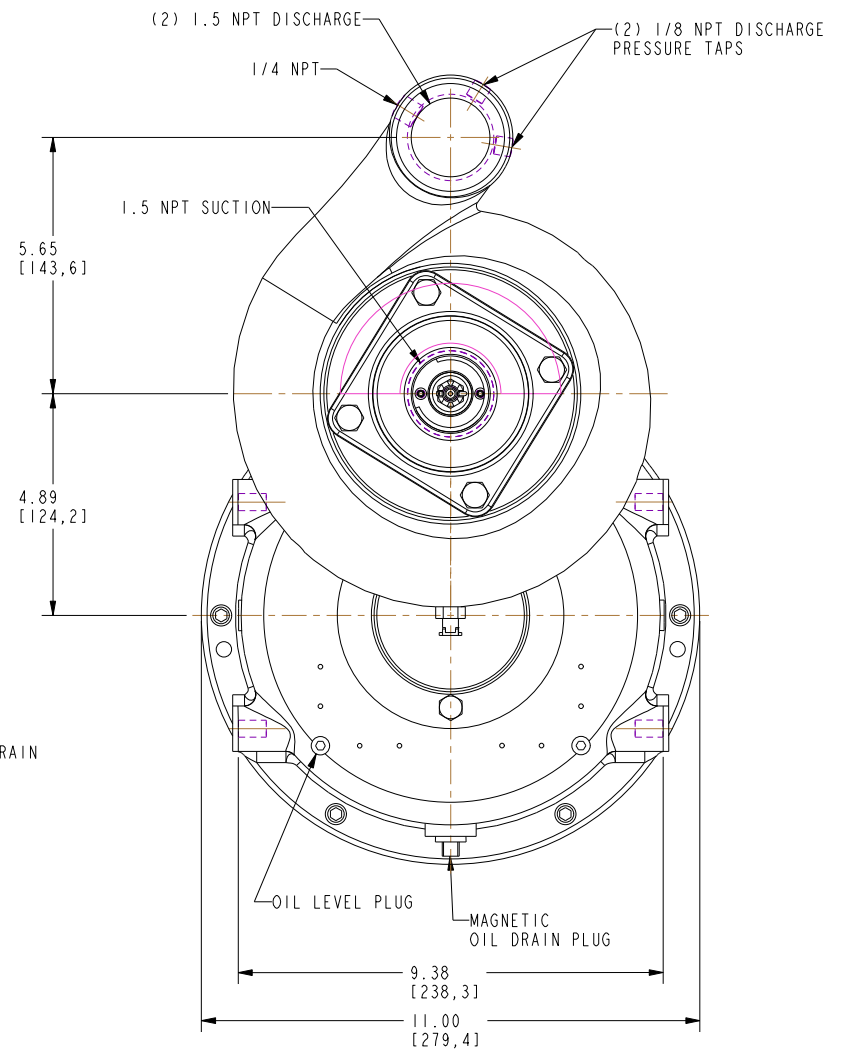
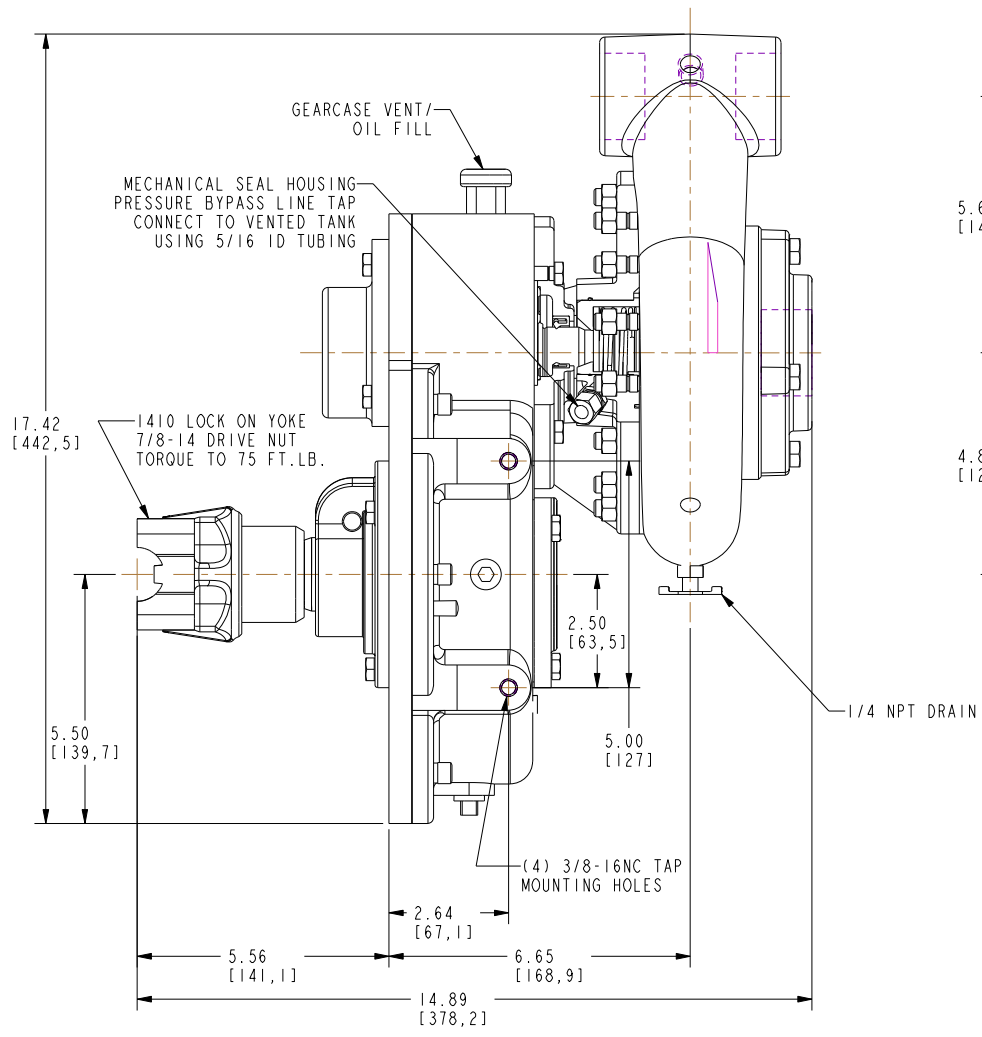


REVISIONS				
LTR	DESCRIPTION	DATE	CHG NO.	APPR'D



APPROXIMATE WEIGHT: 120 LBS (54.4 KG)

REMOVE SHARP EDGES	INCH (MILLIMETER)	THIRD ANGLE PROJECTION	OLD PART NO.	TOLERANCE	MODEL NAME	MDL CREATED	SHEET
				EXCEPT AS NOTED ±.00 ±.03 ±.000 ±.010 ANGLES ±1°	PH00511	16-JULY-2000	1/1
MATERIAL DESCRIPTION:		MATERIAL NO.	PATTERN NO.		W.S. Darley & Co. CHIPPewa FALLS, WI - MELROSE PARK, IL		
THIS DESIGN IS THE PROPERTY OF W.S. DARLEY AND CO. UNAUTHORIZED REPRODUCTION IS PROHIBITED	ALL DIMENSIONS IN INCHES UNLESS NOTED			DO NOT SCALE PRINT	DR'N JSS	DATE 05-NOV-03	DHD1900
					CHKD DWS	SCALE 1/2	