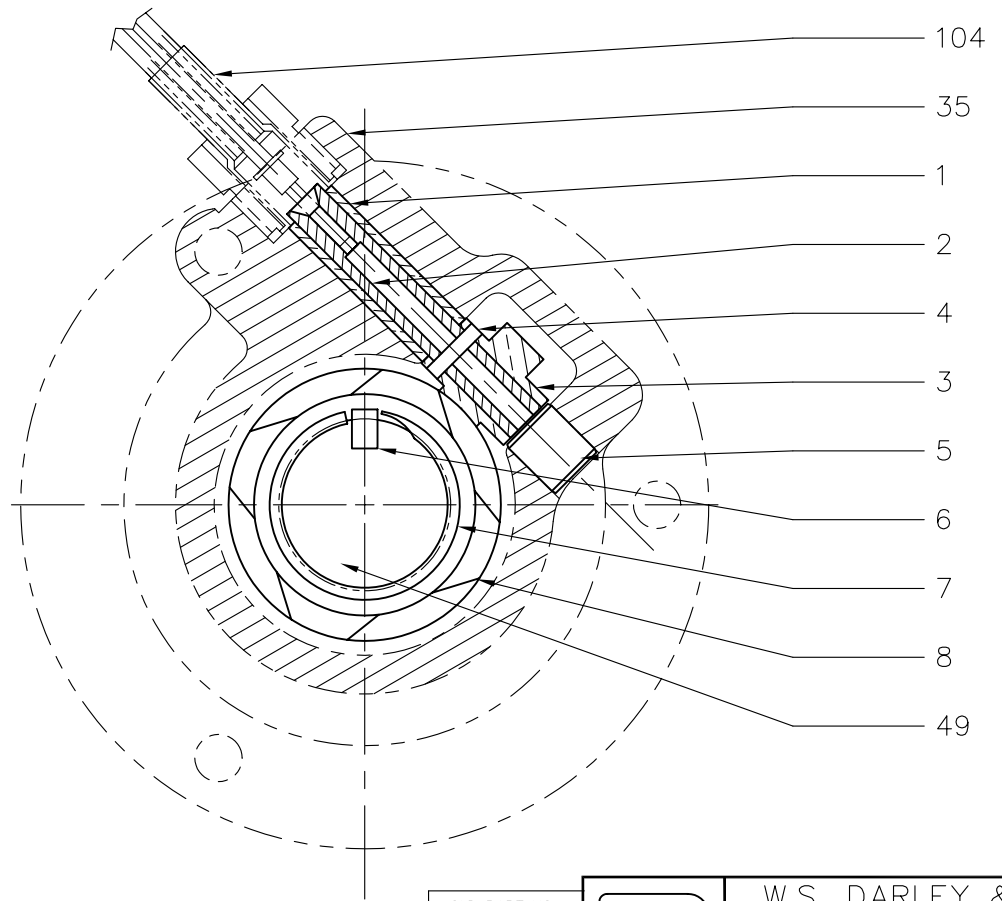


| REVISIONS | | | | |
|-----------|-------------|------|---------|--------|
| LTR | DESCRIPTION | DATE | CHG NO. | APPR'D |
| | | | | |

| REP# | NAME OF PART | QTY |
|------|----------------------------|-----|
| 1 | BUSHING - TACH SHAFT | 1 |
| 2 | TACH. SHAFT | 1 |
| 3 | TACH. GEAR | 1 |
| 4 | DRIVE PIN - TACH. GEAR | 1 |
| 5 | PLUG | 1 |
| 6 | WOODRUFF KEY | 1 |
| 7 | RETAINER RING - TACH. WORM | 1 |
| 8 | TACH. WORM | 1 |
| 35 | BEARING CAP - (REF) | 1 |
| 49 | DRIVE SHAFT - (REF) | 1 |
| 104 | TACH. CABLE - (REF) | 1 |



OLD PART NO.
H447

SPEC NO.
G431A1



W.S. DARLEY & CO.
MELROSE PARK, IL - CHIPPEWA FALLS, WI

DWG - OPTIONAL HM TACH DRIVE
CROSS SECTION

THIS DESIGN IS THE PROPERTY OF
W.S. DARLEY AND CO. - UNAUTHORIZED
REPRODUCTION IS PROHIBITED

ALL DIMENSIONS IN
INCHES UNLESS NOTED

DO NOT SCALE PRINT

DR'N TED
CHKD
TRCD

DATE DEC. 8, 93
SCALE 1/1

DHC0700