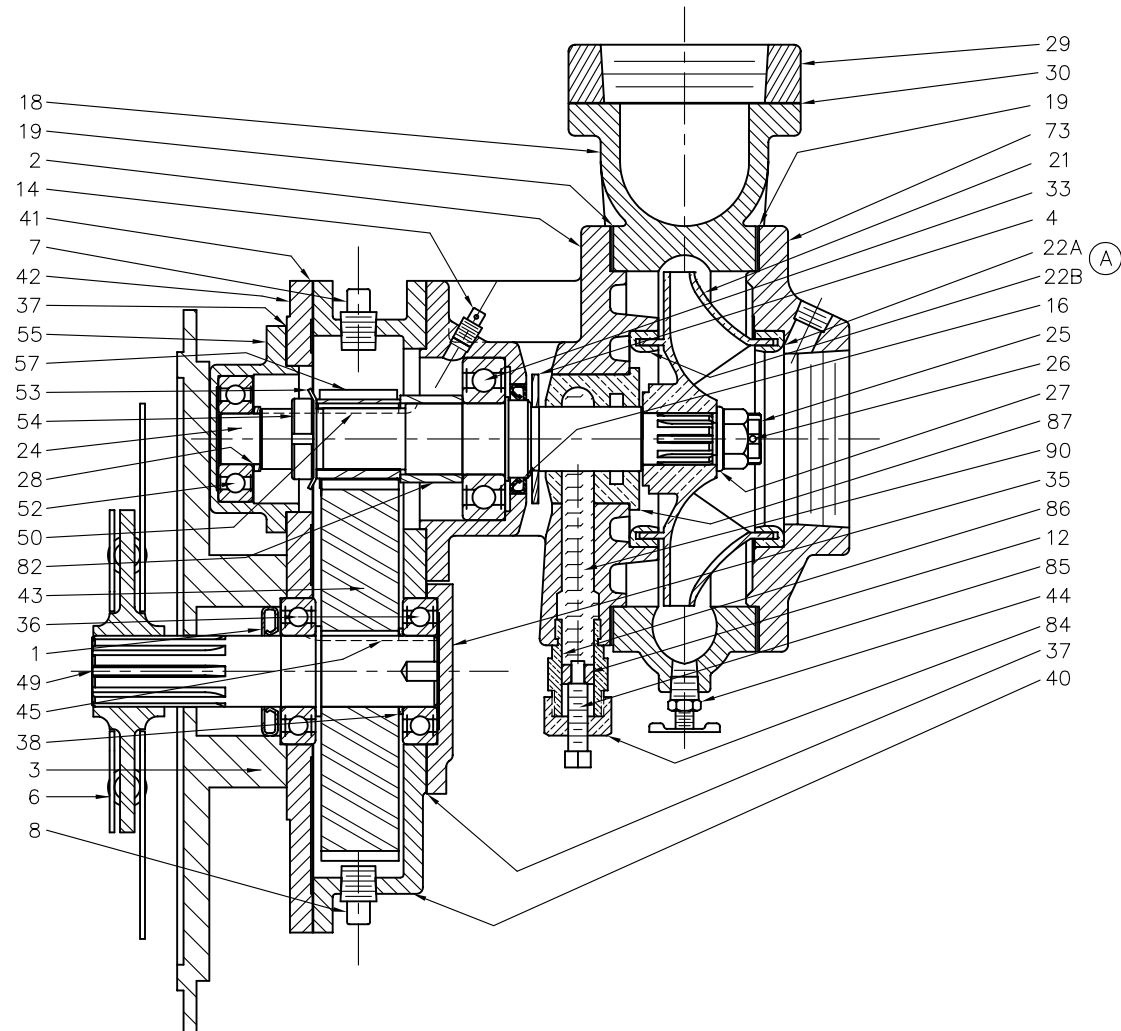


REVISIONS			
LTR	DESCRIPTION	DATE	CHG. NO. APPR'D
A	CHANGED REP NO. FROM 22 TO 22A AND 22B TO DIFFERENTIATE BETWEEN SEAL RINGS IF NECESSARY	17MAY2002	2002-84 DMD


REP#	NAME OF PART	QTY
1	OIL SEAL	1
2	INBOARD HEAD	1
3	ENGINE ADAPTER	1
4	WATER SLINGER	1
6	DRIVE FLANGE	1
7	OIL FILL PLUG-3/8 NPT	1
8	OIL DRAIN PLUG-3/8 NPT - MAGNETIC	1
12	PACKING PLUNGER	1
14	VENT PLUG-1/8 NPT	1
16	OIL SEAL - PUMP SHAFT	1
18	VOLUTE	1
19	PUMP CASING GASKET	2
21	IMPELLER	1
22A	SEAL RING OUTBOARD	1
22B	SEAL RING INBOARD	1
24	IMPELLER SHAFT	1
25	IMPELLER NUT	1
26	COTTER KEY	1
27	IMPELLER WASHER	1
28	WASHER	1
29	DISCHARGE FLANGE	1
30	GASKET-DISCHARGE FLANGE	1
33	BEARING	1
35	BEARING CAP	1
36	BEARING	2
37	BEARING CAP GASKET	2
38	SPACER BUSHING	1
40	GEAR CASE	1
41	GEAR CASE GASKET	1
42	GEAR CASE COVER	1
43	DRIVE GEAR	1
44	DRAIN COCK-1/4 NPT	1
45	GEAR KEY	1
49	DRIVE SHAFT	1
50	PINION KEY	1
52	BEARING	1
53	BEARING LOCKWASHER	1
54	BEARING LOCKNUT	1
55	BEARING CAP	1
57	DRIVEN PINION	1
73	OUTBOARD HEAD	1
82	SPACER BUSHING	1
84	GLAND NUT	1
85	PACKING PLUNGER STUD	1
86	PACKING PLUNGER GUIDE	1
87	STUFFING BOX	1
90	PACKING	1



(A)

(A)

OLD PART NO.
H450-2

	W.S. DARLEY & CO.	
	MELROSE PARK, IL - CHIPPEWA FALLS, WI	
DWG - HE500 CROSS SECTION PACKING		
DR'N TED/RC	DATE JAN24,94	DHC0600
CHKD	SCALE 1/2	
TRCD110195CKE		

THIS DESIGN IS THE PROPERTY OF W.S. DARLEY AND CO. - UNAUTHORIZED REPRODUCTION IS PROHIBITED

ALL DIMENSIONS IN INCHES UNLESS NOTED

DO NOT SCALE PRINT