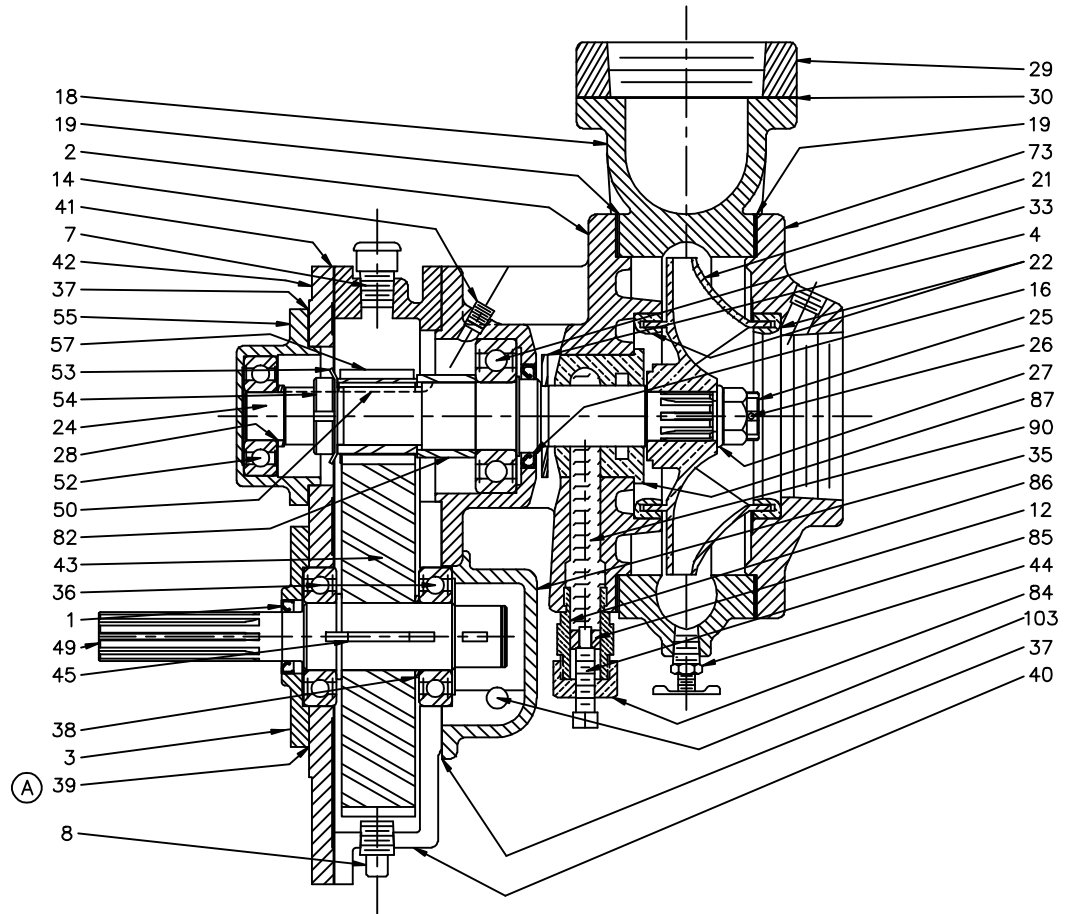


REP#	NAME OF PART	QTY
1	OIL SEAL	1
2	INBOARD HEAD	1
3	BEARING CAP - DRIVE SHAFT	1
4	WATER SLINGER	1
7	OIL FILL/ VENT -3/8 NPT	1
8	OIL DRAIN PLUG-3/8 NPT - MAGNETIC	1
12	PACKING PLUNGER	1
14	PLUG-1/8 NPT	1
16	OIL SEAL - PUMP SHAFT	1
18	VOLUTE	1
19	PUMP CASING GASKET	2
21	IMPELLER	1
22	SEAL RING	2
24	IMPELLER SHAFT	1
25	IMPELLER NUT	1
26	COTTER KEY	1
27	IMPELLER WASHER	1
28	WASHER	1
29	DISCHARGE FLANGE	1
30	GASKET-DISCHARGE FLANGE	1
33	BEARING	1
35	BEARING CAP	1
36	BEARING	2
37	BEARING CAP GASKET	2
38	SPACER BUSHING	1
39	BEARING CAP GASKET	1
40	GEAR CASE	1
41	GEAR CASE GASKET	1
42	GEAR CASE COVER	1
43	DRIVE GEAR	1
44	DRAIN COCK-1/4 NPT	1
45	DRIVE GEAR KEY	1
49	DRIVE SHAFT	1
50	PINION KEY	1
52	BEARING	1
53	BEARING LOCKWASHER	1
54	BEARING LOCKNUT	1
55	BEARING CAP	1
57	DRIVEN PINION	1
73	OUTBOARD HEAD	1
82	SPACER BUSHING	1
84	GLAND NUT	1
85	PACKING PLUNGER STUD	1
86	PACKING PLUNGER GUIDE	1
87	STUFFING BOX	1
90	PACKING	1
103	7/16 FROST PLUG - (REF)	2



(A) REP NO. 39 WAS MISSING PRIOR TO 11OCT2002

OLD PART NO.
H427-2



W.S. DARLEY & CO.
MELROSE PARK, IL - CHIPPEWA FALLS, WI
DWG - HM500 CROSS SECTION
PACKING

THIS DESIGN IS THE PROPERTY OF
W.S. DARLEY AND CO. - UNAUTHORIZED
REPRODUCTION IS PROHIBITED

ALL DIMENSIONS IN
INCHES UNLESS NOTED

DO NOT SCALE PRINT

DRN TED/RC
CHKD
TRCP

DATE JAN24,94
SCALE 1/2

DHC0502