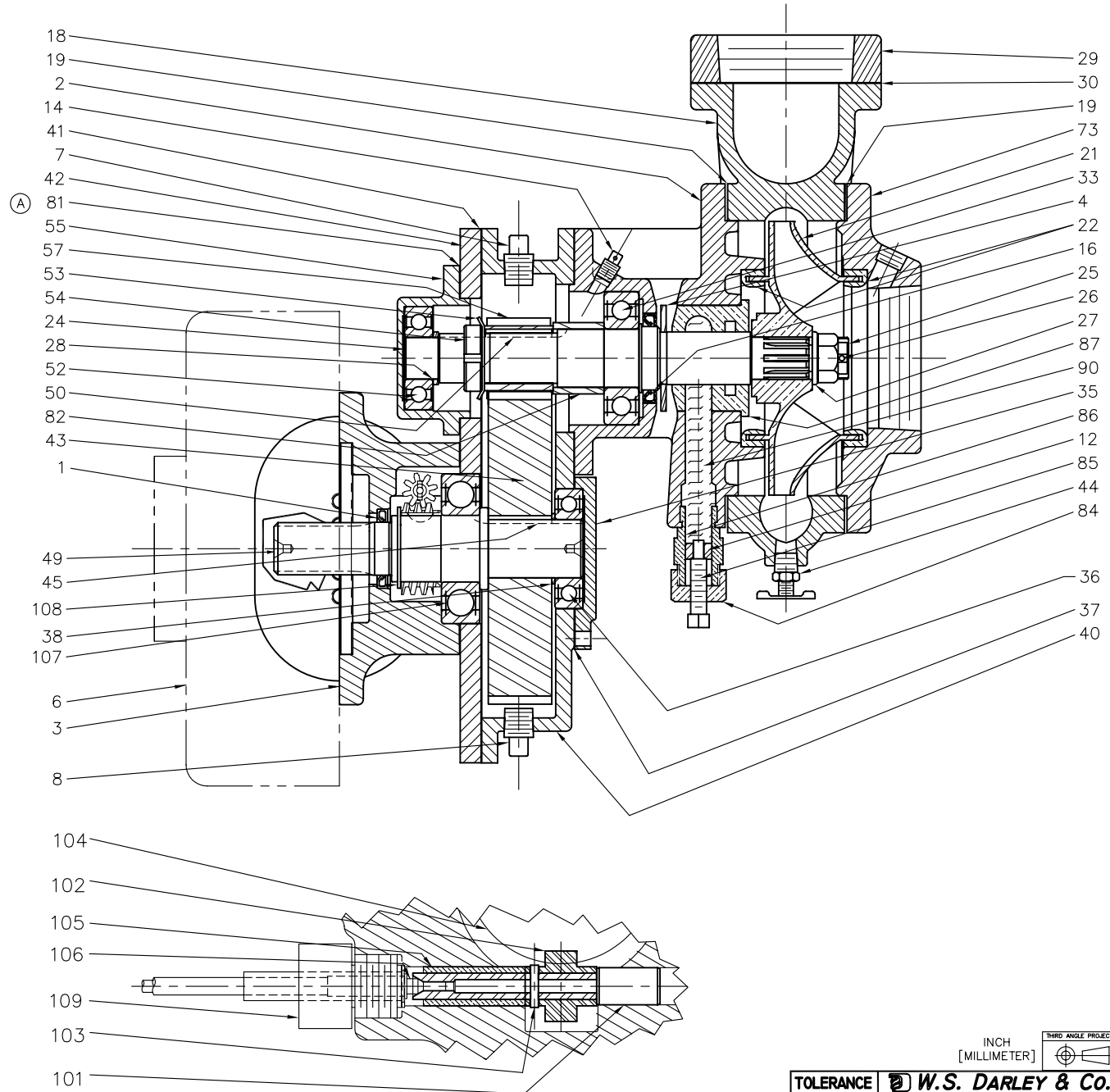


REP#	NAME OF PART	QTY
1	OIL SEAL	1
2	INBOARD HEAD	1
3	ADAPTER, CLUTCH	1
4	WATER SLINGER	1
6	CLUTCH, ELECTRIC	1
7	OIL FILL PLUG-3/8 NPT	1
8	OIL DRAIN PLUG-3/8 NPT - MAGNETIC	1
12	PACKING PLUNGER	1
14	VENT PLUG-1/8 NPT	1
16	OIL SEAL - PUMP SHAFT	1
18	VOLUTE	1
19	PUMP CASING GASKET	2
21	IMPELLER	1
22	SEAL RING	2
24	IMPELLER SHAFT	1
25	IMPELLER NUT	1
26	COTTER KEY	1
27	IMPELLER WASHER	1
28	WASHER	1
29	DISCHARGE FLANGE	1
30	GASKET-DISCHARGE FLANGE	1
33	BEARING	1
35	BEARING CAP	1
36	BEARING	1
37	BEARING CAP GASKET - DRIVE SHAFT	1
38	SPACER BUSHING	1
40	GEAR CASE	1
41	GEAR CASE GASKET	1
42	GEAR CASE COVER	1
43	DRIVE GEAR	1
44	DRAIN COCK-1/4 NPT	1
45	GEAR KEY	1
49	SHAFT, DRIVE	1
50	PINION KEY	1
52	BEARING	1
53	BEARING LOCKWASHER	1
54	BEARING LOCKNUT	1
55	BEARING CAP	1
57	DRIVEN PINION	1
73	OUTBOARD HEAD	1
(A) 81	BEARING CAP GASKET - IMP. SHAFT	1
82	SPACER BUSHING	1
84	GLAND NUT	1
85	PACKING PLUNGER STUD	1
86	PACKING PLUNGER GUIDE	1
87	STUFFING BOX	1
90	PACKING	1
101	PLUG - TACH. SHAFT	1
102	TACH. GEAR	1
103	PIN - TACH. GEAR	1
104	WORM - TACH. DRIVE	1
105	BEARING - TACH. SHAFT	1
106	SHAFT - TACH. DRIVE	1
107	BEARING	1
108	RETAINING RING	1
109	PLUG, TACH DRIVE	1

REVISIONS				
LTR	DESCRIPTION	DATE	CHG NO.	APPR'D
(A)	WAS LISTED AS REP #37	9/14/99		CKE



TACH. DETAIL
FULL SCALE

SPEC NO.
PH01000

TOLERANCE EXCEPT AS NOTED .05 ±.03 .000 ±.010 ANGLES ±1°	W.S. DARLEY & Co. MELROSE PARK, IL - CHIPPEWA FALLS, WI		DWG-HF250, ELECTRIC, CLUTCH CROSS SECTION	DHC0400		
	DR'N	MMW			DATE	SEP13,96
	CHKD				SCALE	1/2
	TRCD					

THIS DESIGN IS THE PROPERTY OF
W.S. DARLEY AND CO. - UNAUTHORIZED
REPRODUCTION IS PROHIBITED

ALL DIMENSIONS IN
INCHES UNLESS NOTED

DO NOT SCALE PRINT

INCH
[MILLIMETER]

