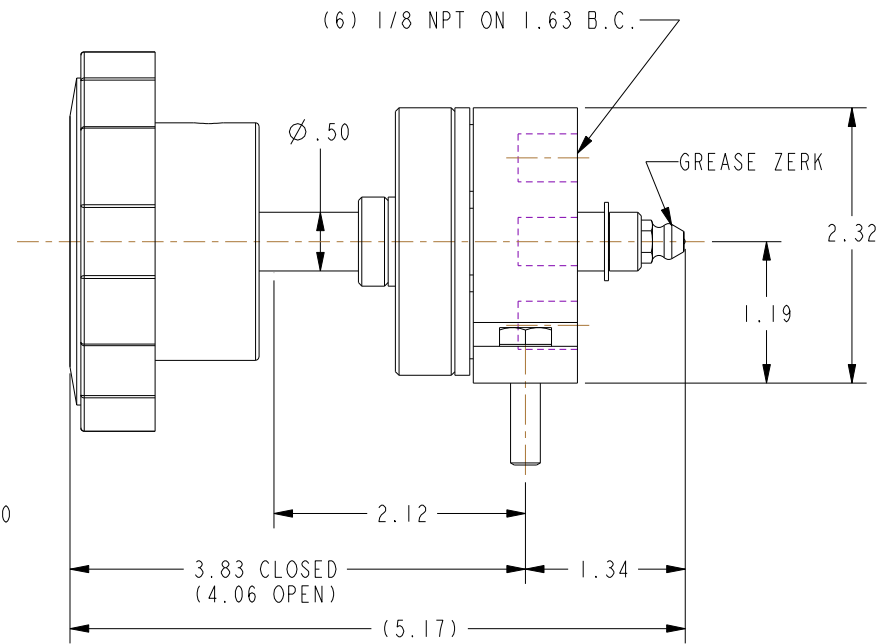
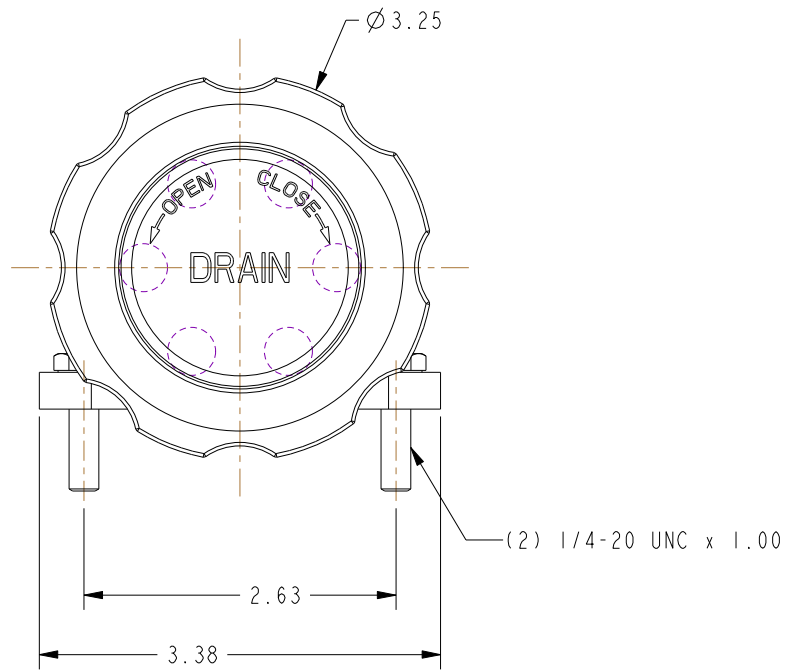
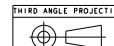


REVISIONS				
LTR	DESCRIPTION	DATE	CHG NO.	APPR'D



REMOVE SHARP EDGES

INCH
[MILLIMETER]



OLD PART NO.

PATTERN NO.

TOLERANCE
EXCEPT
AS NOTED
.00 ± .03
.000 ± .010
ANGLES ± 1°

MODEL V D00402 MDL CREATED 7/27/04 SHEET 1/1 B

W.S. Darley & Co.
MELROSE PARK, IL - CHIPPEWA FALLS, WI

ASSY - MULTI DRAIN VALVE
WITHOUT HOUSING

MATERIAL DESCRIPTION:

-

THIS DESIGN IS THE PROPERTY OF
W.S. DARLEY AND CO. - UNAUTHORIZED
REPRODUCTION IS PROHIBITED

ALL DIMENSIONS IN
INCHES UNLESS NOTED

DO NOT SCALE PRINT

DR'N JSS
CHKD TED
TRCD

DATE 27-Jul-04
SCALE 1/1

DGD0401