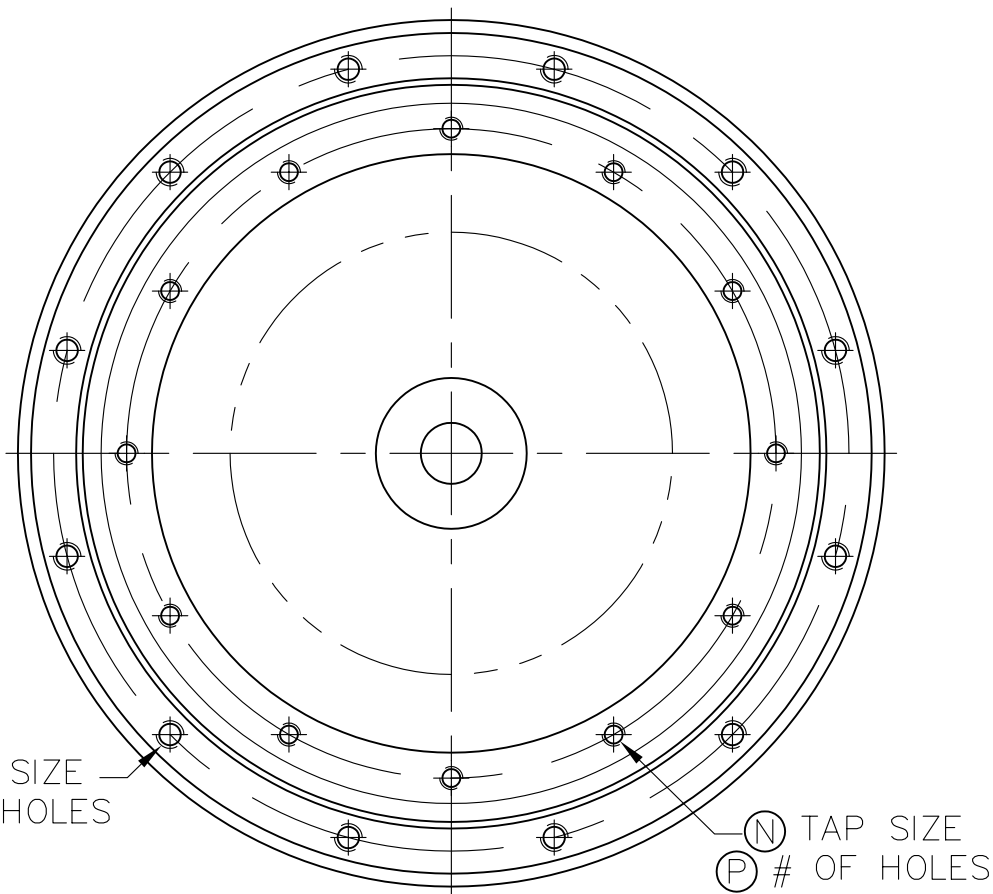
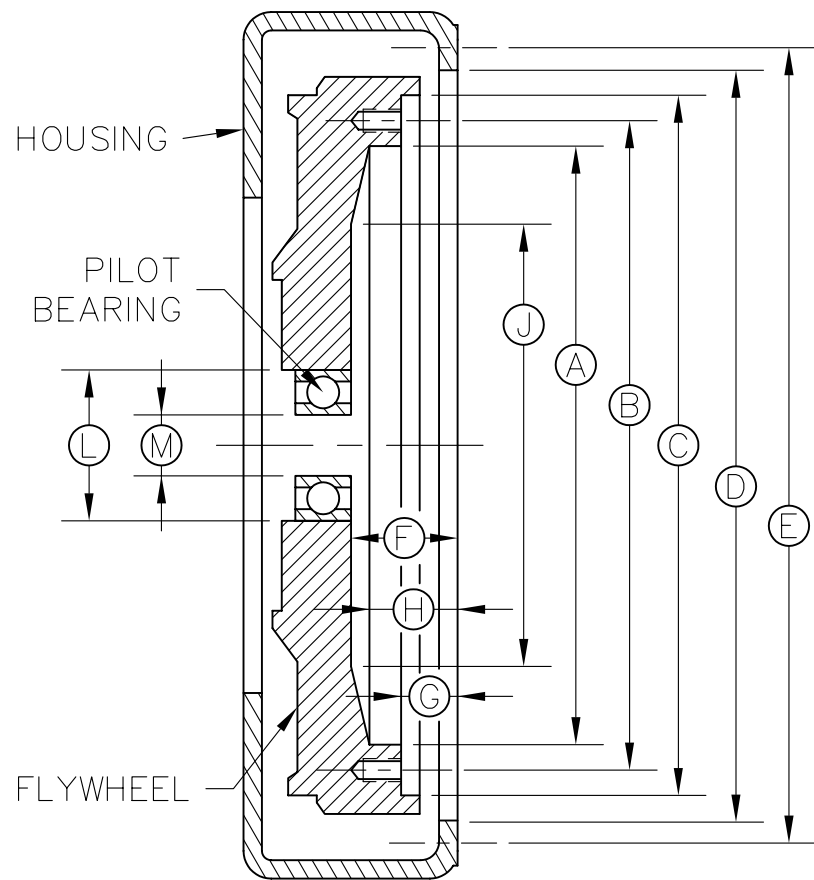


_____ NO, THE FLYWHEEL & HOUSING DO NOT CONFORM TO AN SAE STANDARD, DIMENSIONS ARE TO THE RIGHT.

| | | | | | | | | | | | | | | |
|---|---|---|---|---|---|---|---|---|---|---|---|----------------------------|---------------------------|---|
| A | B | C | D | E | F | G | H | J | L | M | N | P | R | S |
| | | | | | | | | | | | | MOUNTING HOLES IN FLYWHEEL | MOUNTING HOLES IN HOUSING | |

_____ YES, ALL FLYWHEEL & HOUSING DIMENSIONS CONFORM TO AN SAE STANDARD.
 THE FLYWHEEL IS AN SAE _____
 THE HOUSING IS AN SAE _____



NAME: _____ DATE: _____
 ENGINE MAKE: _____ MODEL #: _____
 GROSS HP.: _____ GOV. RPM: _____
 GROSS TORQUE: _____

THIRD ANGLE PROJECTION

OLD PART NO.
X643

TOLERANCE
 EXCEPT AS NOTED
 .00 ±.03
 .000 ±.010
 ANGLES ±1°

DR'N C. KURTH
 CHKD
 REDR'N TED

W.S. DARLEY & Co.
 MELROSE PARK, IL - CHIPPEWA FALLS, WI

ENGINE DIMENSIONS
 FLYWHEEL & HOUSING

DATE JAN 5,98
 SCALE N/A

1206001

THIS DESIGN IS THE PROPERTY OF W.S. DARLEY AND CO. - UNAUTHORIZED REPRODUCTION IS PROHIBITED

ALL DIMENSIONS IN INCHES UNLESS NOTED

DO NOT SCALE PRINT