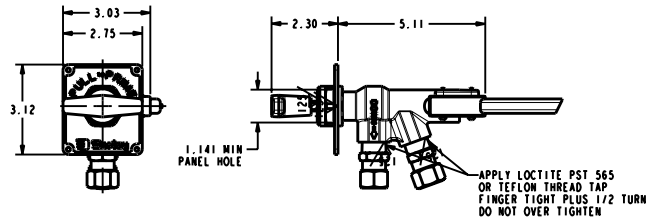
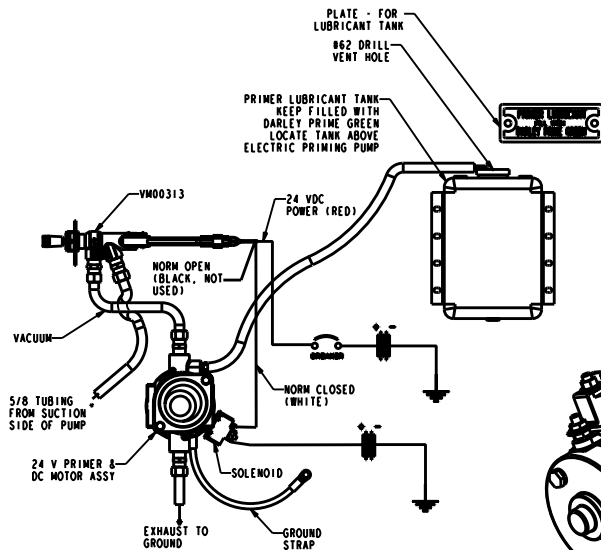
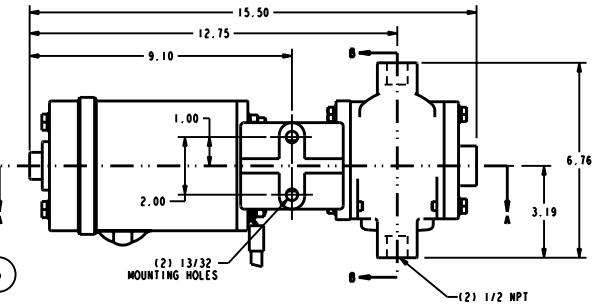
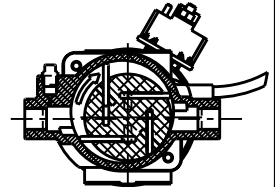
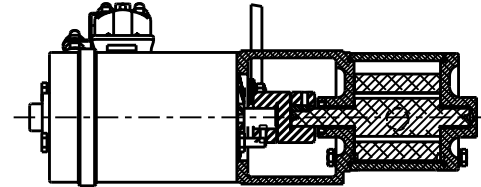


NO.	DESCRIPTION	PART NO.	QTY.
1	ASSEMBLY - PRIMER, ROTOR	4420105	1
2	BEARING - OILITE, 0.626 ID	1760023	2
3	COUPLING - #44093	2404500	1
4	CYLINDER - VACUUM PUMP	1020800	1
5	HEAD - CYLINDER INBOARD	2808904	1
6	HEAD - CYLINDER, OUTBOARD	2808800	1
7	NHCS - .313-18 x 1.00, SST	5400610	4
8	RET - SO., 0.19 x 0.62 GR2	3602425	1
9	RET - WOODRUFF, 606	3602200	1
10	MOTOR - PRIMER, 24V	4223500	1
11	NUT - HEX., .313-15, SST	5403024	2
12	O-RING - 3.50 x 3.69 x 0.09	3601101	2
13	OIL SEAL - 0.625 ID x 1.128 OD	3600505	1
15	TUBE FITTING - STR, .25 x .19	3500021	1
16	STRAP - GROUND, 12V PRIMER	2600516	1
17	VANE - ROTOR, ELEC PRIMER	4407601	4
18	WASHER - FLAT, 5/16, STEEL	3603802	2
19	WASHER - LOCK, 0.313 ID	3603502	6

REVISIONS				
LTB	DESCRIPTION	DATE	CHK NO.	APP'D
4	REMOVED FIRST PLUG	4/15/09	325	AAN



NOTE:
 - FOR CROSS SECTION AND EXPLODED VIEW DRAWING
 SEE DRAWING DVC0203
 - ALSO, WHEN REPLACING THE OLD VERSION OF THIS VALVE WITH
 THIS NEW VERSION, BUSHING 1762500 CAN BE USED TO RETROFIT
 IT TO THE EXISTING PANEL.



NOTE:
 MOUNT WITH EXHAUST OUTLET DOWN
 CONNECT 4 GA COPPER GROUND STRAP
 TO CLEAN, PAINT FREE GROUNDING SURFACE
 IF SUPPLIED GROUND STRAP
 IS REMOVED FROM ASSEMBLY,
 RETIGHTEN CYLINDER HEAD ADAPTER
 RETAINING NUTS EQUALLY
 TO 90 IN. LB.

POSITIVE LEAD WIRE SIZES FOR 24 V PRIMERS:
 PER SAE STANDARD 541J (MAX STARTING MOTOR VOLTAGE DROPS)
 0' TO 20' 18 AWG COPPER
 0' TO 25' 16 AWG COPPER
 THESE GAGE WIRES CORRESPOND WITH AMP DRAW
 REQUIREMENTS FOR EACH MOTOR, AS WELL AS IN RELATION
 TO RESISTANCE OVER GIVEN LENGTH.
 24 V = 140 AMP

WEIGHT : 27 LB (12.1 KG)

REMOVE SHARP EDGES

1 INCH (25.4 MILLIMETER)

OLD PART NO. 4223500

TOLERANCE LIMITS AS SHOWN

MATERIAL NO. 4223500

PATTERN NO.

DATE 18-Apr-09

SCALE 1/2

DVC0209

THIS DESIGN IS THE PROPERTY OF W.S. DARLEY & CO. ALL DIMENSIONS IN INCHES UNLESS NOTED. DO NOT SCALE PRINT.

W.S. Darley & Co.
 MILWAUKEE, WISCONSIN
 DIV - ELEC. PRIMER, RLY. & VANE
 WYBANS, DARLEY, CR. SEC., EXPL.