

W.S. DARLEY & CO.

WATER FLINGER INSTALLATION INSTRUCTION

- Place **4431200** assembly tool on bed of press
- Place **3206100** water flinger over 4431200 assembly tool as shown in Fig 1a. Apply Loctite #603 to inside flinger surface.

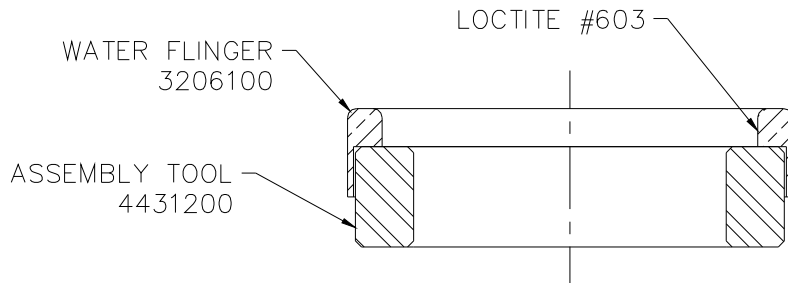


Fig 1a

- Position drive yoke on top of water flinger keeping it straight and centered. (See Fig 1b)

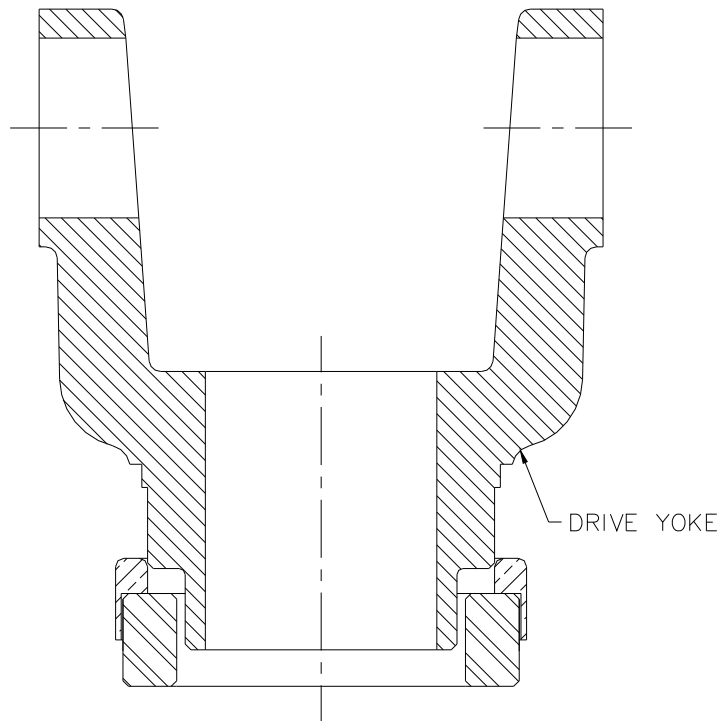


Fig 1b

- When yoke is positioned properly, press into place. Yoke will stop when it is fully seated as shown in Fig 2a.

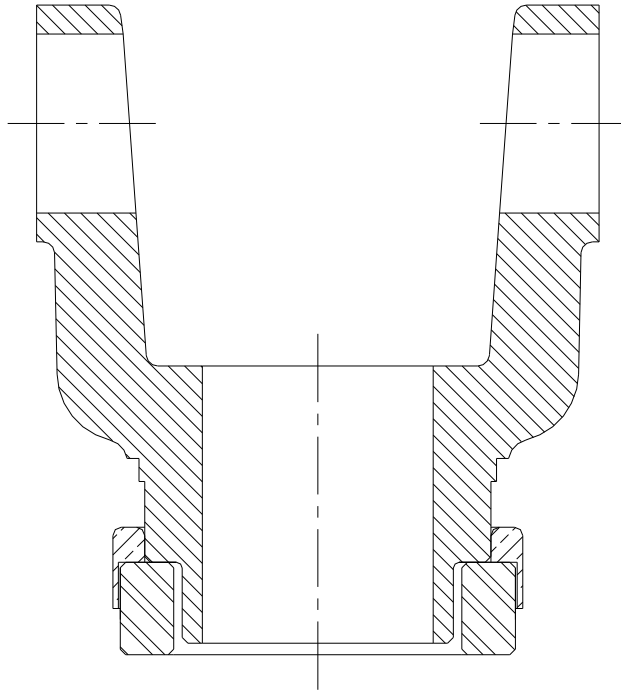


Fig 2a

- Inspect flinger/yoke assembly to make sure faces are flush as shown in Fig 2b.

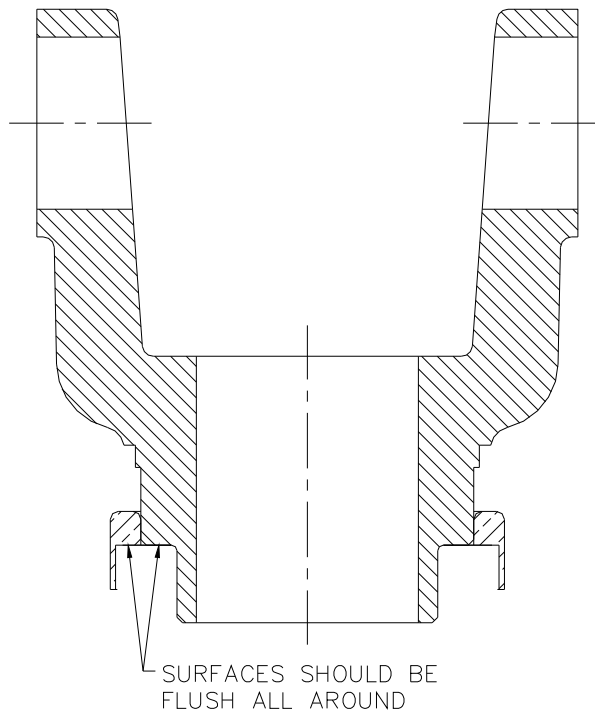


Fig 2b