

**W.S. DARLEY & CO.**  
**TO DISASSEMBLE & REPAIR VM00201 PRIMER VALVE**  
**Refer to Drawing DGC0211**

1. Remove panel valve nut (3).
2. Remove valve plug stop pin (4)
3. Remove the following parts together: Plastic knob (1), spring (2), valve plug (7), spring stop (8) and stem (9).

NOTE: Knob (1), Stem (9) and Plug (7) are Loctited together.

DO NOT DISASSEMBLE UNLESS NECESSARY.

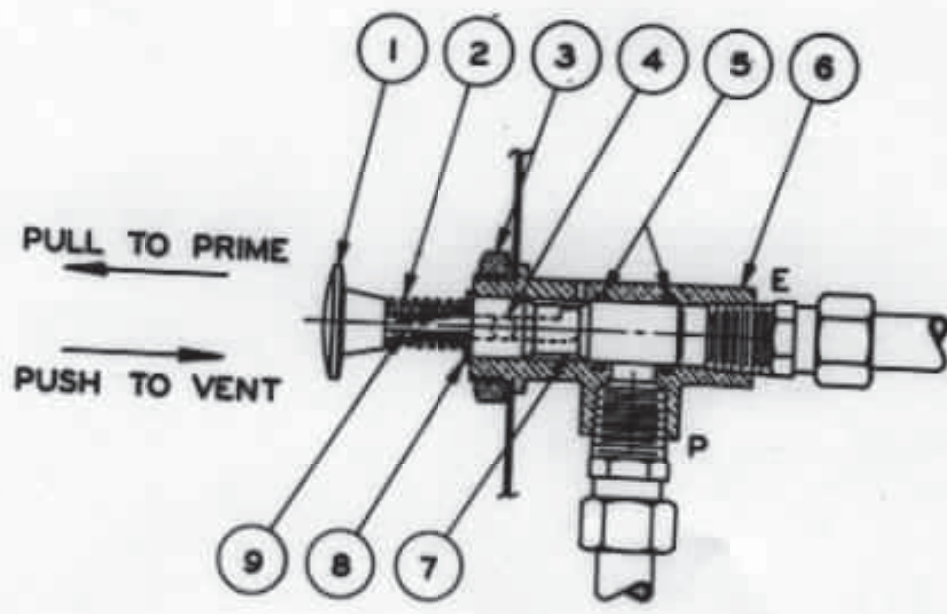
4. Check the o-rings (5) in valve body (6). Replace if necessary.

REVERSE PROCESS TO REASSEMBLE.

REVISIONS		DATE	CHG. NO.	APPR'D
LTR	DESCRIPTION			

REP NO.	DESCRIPTION
1	PLASTIC KNOB
2	SPRING
3	PANEL NUT
4	VALVE PLUG STOP PIN
5	O'RING
6	VALVE BODY
7	VALVE PLUG
8	SPRING STOP
9	STEM

YO

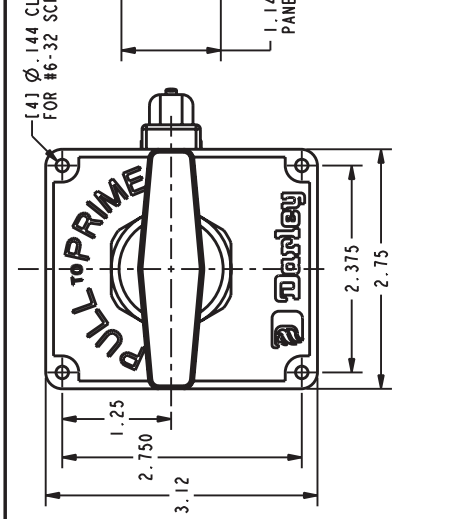


<b>W.S. DARLEY &amp; Co.</b> MELROSE PARK, IL. - CHIPPEWA FALLS, WI.		<b>PRIMER PANEL VALVE</b>	
<b>TOLERANCE</b> EXCEPT AS NOTED .00 ±.03 .000 ±.010 ANGLES 81°		DR'M TED CHKG TRCD	DATE DEC20,97 SCALE 1/2
OLD PART NO. -	PATTERN NO. -	<b>DO NOT SCALE PRINT</b>	
MATERIAL NO. -		ALL DIMENSIONS IN INCHES UNLESS NOTED	
MATERIAL DESCRIPTION:		THIS DESIGN IS THE PROPERTY OF W.S. DARLEY AND CO. - UNAUTHORIZED REPRODUCTION IS PROHIBITED	

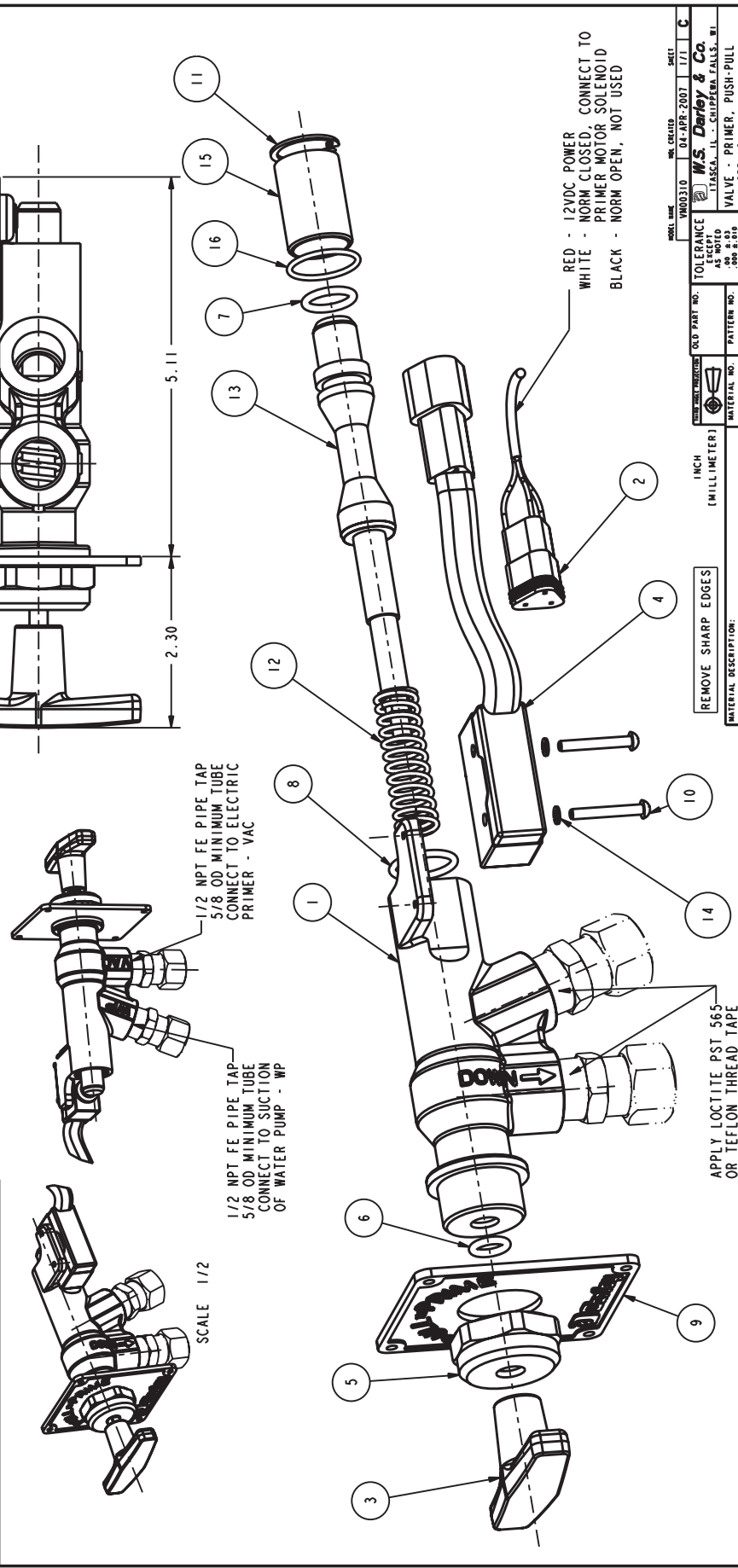
**DGC0211**

REVOLUTIONS		
U.T.R.	DESCRIPTION	DATE

NO.	DESCRIPTION	DATE	CHG. NO.	APPR. ID.



NO.	DESCRIPTION	PART NO.	QTY.
1	BODY - PRIMER VALVE	2056300	1
2	CONNECTOR - DUECH DT 06-3S	2601618	1
3	HANDLE - PRIMER TEE	3012400	1
4	MICROSWITCH - PRIMER VALVE	2600146	1
5	NUT - PANEL VALVE, 1.250-12	5403511	1
6	O-RING - 0.38 x 0.56 x 0.09	3601104	1
7	O-RING - 0.562 x 0.750 x 0.09	3601128	1
8	O-RING - 0.75 x 0.94 x 0.09	3601112	1
9	PLATE - PRIMER, CAST ZINC	1977200	1
10	RHMS - NO. 6-32 X 1.00, BR	5402012	2
11	RING - RETAINER, 5000-87	3600453	1
12	SPRING - PRIMER VALVE	3600042	1
13	STEM - PUSH-PULL PRIMER VALVE	5243200	1
14	WASHER - LOCK, NO. 6 1D, SST	3603508	2
15	BEARING - PRIMER VLV, GLIDE	1762600	1
16	O-RING - 0.88 x 1.00 x 0.06	3601009	1



RED - 12VDC POWER  
 WHITE - NORM CLOSED, CONNECT TO PRIMER MOTOR SOLENOID  
 BLACK - NORM OPEN, NOT USED

NO.	DESCRIPTION	DATE	CHG. NO.	APPR. ID.

W.S. Darley & Co.  
 VALVE - PRIMER, PUSH-PULL  
 HVT SPRING  
 DATE 03-APR-07  
 SCALE 1/1  
 DVC0203