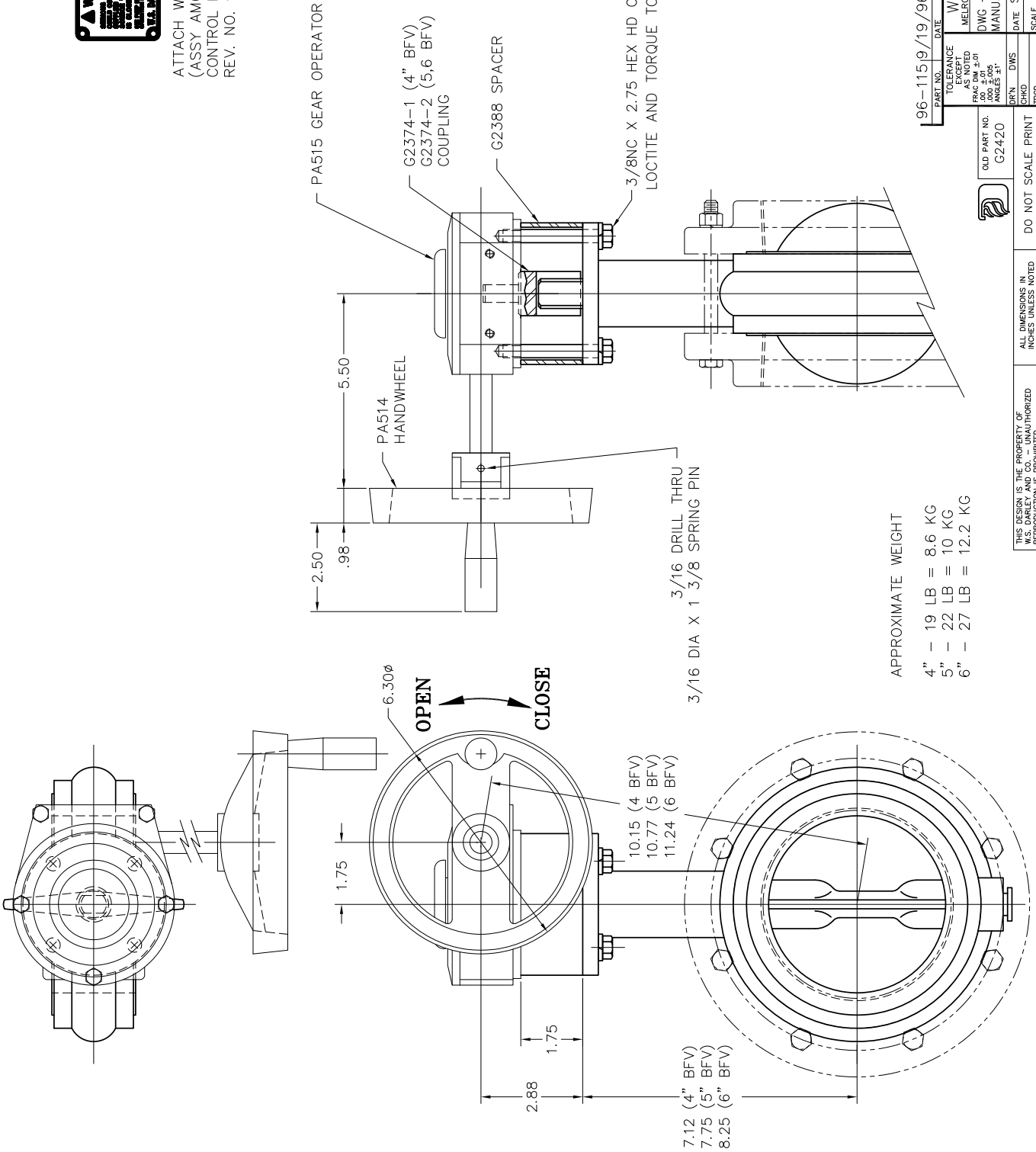


ATTACH WARNING PLATE
(ASSY AM00700) TO
CONTROL PANEL VIA
REV. NO. 96-115 (REF). ©



APPROXIMATE WEIGHT
 4" - 19 LB = 8.6 KG
 5" - 22 LB = 10 KG
 6" - 27 LB = 12.2 KG

THIS DESIGN IS THE PROPERTY OF W.S. DARLEY & CO. UNAUTHORIZED REPRODUCTION IS PROHIBITED

DO NOT SCALE PRINT

ALL DIMENSIONS IN INCHES UNLESS NOTED

CHKD: SEP25,91
 SCALE: 1/2

OLD PART NO. G2420

DWG - BIRFLY VALVE ASSY
 MANUAL CONTROLLED

DATE: 96-115/9/19/96
 CHANGE: ADDED PLATE LMH

W.S. DARLEY & CO.
 MELROSE PARK, IL - CHIPPENAL FALLS, WI

TOLERANCE EXCEPT FRACTIONAL UNITS .00, ±.01, ANGLES .1°

PART NO. DATE

96-115/9/19/96

ADDED PLATE LMH

DGD0104