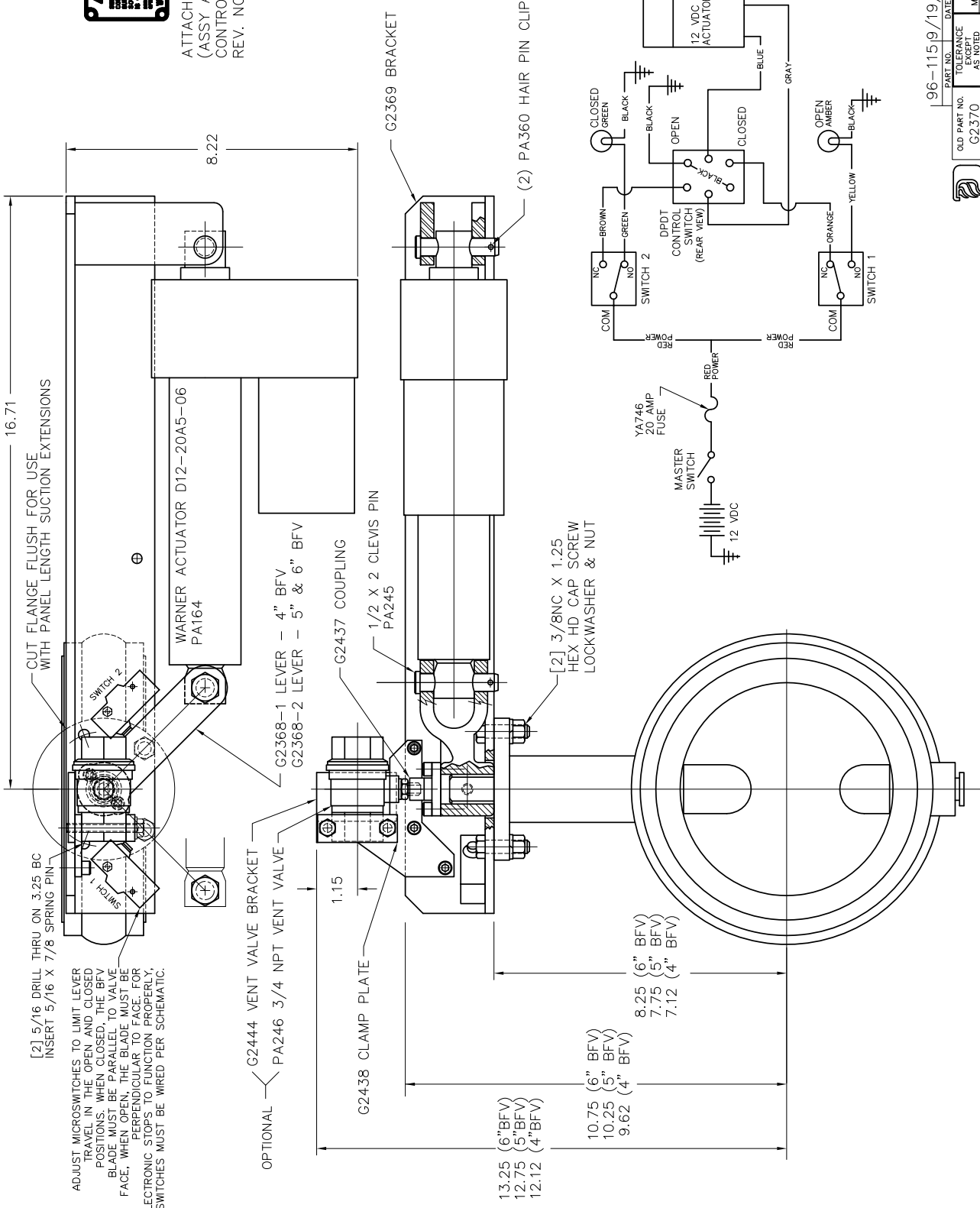




ATTACH WARNING PLATE
(ASSY AM00700) TO
CONTROL PANEL VIA
REV. NO. 96-115 (REF). ⓐ



[2] 5/16 DRILL THRU ON 3.25 BC
INSERT 5/16 X 7/8 SPRING PIN

ADJUST MICROSWITCHES TO LIMIT LEVER
TRAVEL IN THE OPEN AND CLOSED
POSITIONS. WHEN CLOSED, THE BFV
BLADE MUST BE PARALLEL TO VALVE
FACE. WHEN OPEN, THE BLADE MUST BE
PERPENDICULAR TO FACE. FOR
ELECTRONIC STOPS TO FUNCTION PROPERLY,
SWITCHES MUST BE WIRED PER SCHEMATIC.

OPTIONAL
G2444 VENT VALVE BRACKET
PA246 3/4 NPT VENT VALVE

G2438 CLAMP PLATE

13.25 (6" BFV)
12.75 (5" BFV)
12.12 (4" BFV)

10.75 (6" BFV)
10.25 (5" BFV)
9.62 (4" BFV)

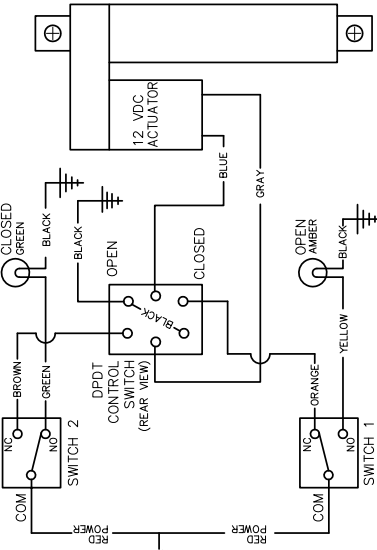
8.25 (6" BFV)
7.75 (5" BFV)
7.12 (4" BFV)

[2] 3/8NC X 1.25
HEX HD CAP SCREW
LOCKWASHER & NUT

YA746
20 AMP
FUSE

MASTER
SWITCH

12 VDC



96-115/9/19/96 ⓐ ADDED PLATE LMH	
PART NO.	CHANGE
TOLERANCE	AS NOTED
OLD PART NO.	G2370
MATERIAL	W.S. DARLEY & CO. MELROSE PARK, IL - CHIFFEWA FALLS, WI
DWG	BUTTERFLY VALVE ASSEMBLY ELECTRIC ACTUATED
DATE	NOV20,91
SCALE	1/2

APPROXIMATE WEIGHT = 35 LB = 15.9 KG (6" BFV)
30 LB = 13.6 KG (5" BFV)
27 LB = 12.2 KG (4" BFV)

DO NOT SCALE PRINT

ALL DIMENSIONS IN
INCHES UNLESS NOTED

THIS DESIGN IS THE PROPERTY OF
W.S. DARLEY & CO. UNAUTHORIZED
REPRODUCTION IS PROHIBITED

DO NOT SCALE PRINT

DO NOT SCALE PRINT

DO NOT SCALE PRINT

DGD0101