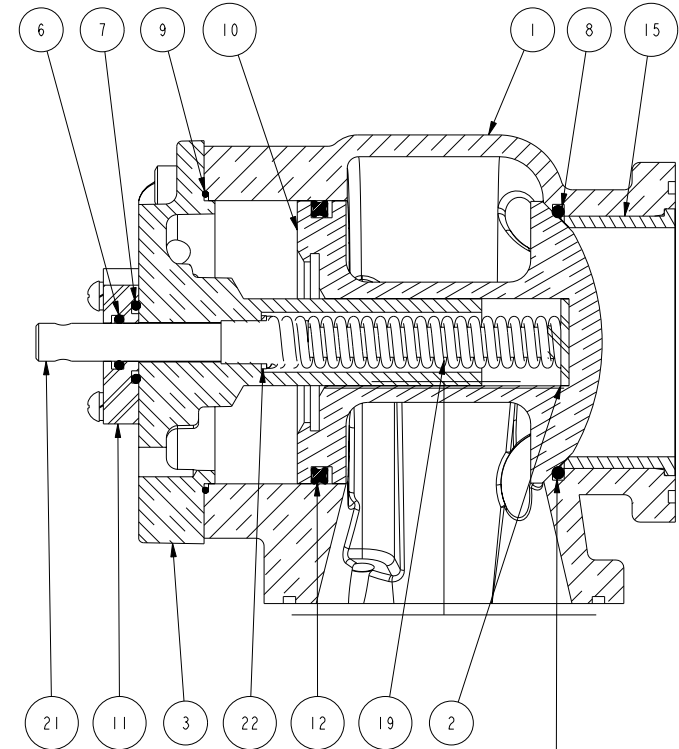
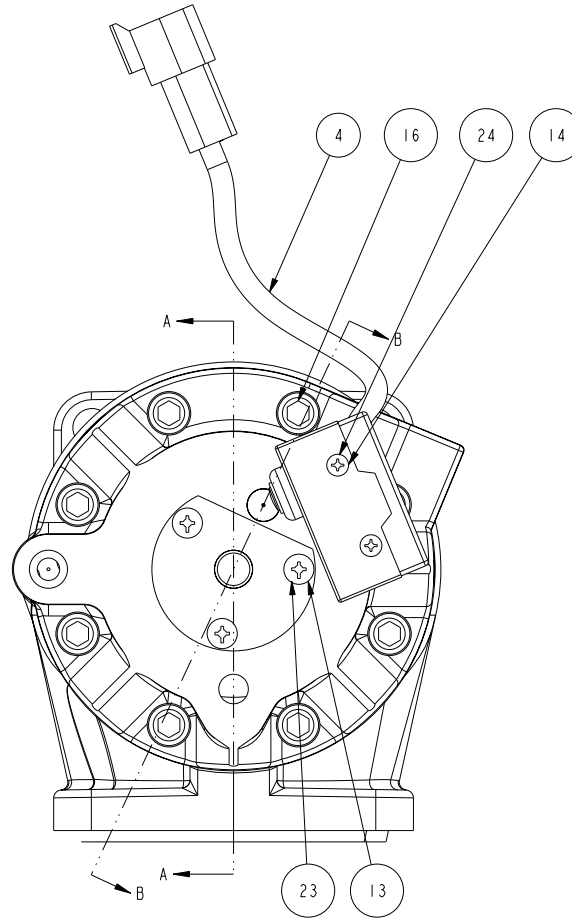
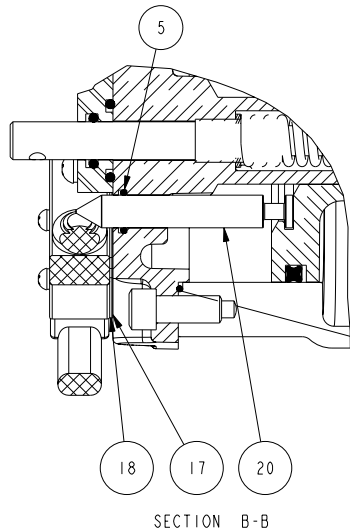


NAME:WAH OBJECT:DGC0138 DATE:17-Jun-05 08:45:24

NO.	DESCRIPTION	PART NO.	QTY.
1	BODY - RELIEF VALVE, 3"	2052201	1
2	CENTER PLUG - PISTON SPRING	4412900	1
3	HEAD - RELIEF VALVE, REMOTE, 3"	2802204	1
4	MICROSWITCH - OMRON	2600056	1
5	O-RING - 0.38 x 0.50 x 0.06	3601000	2
6	O-RING - 0.44 x 0.62 x 0.09	3601100	1
7	O-RING - 0.75 x 0.94 x 0.09	3601112	1
8	O-RING - 2.88 x 3.12 x 0.12	3601224	1
9	O-RING - 3.25 x 3.38 x 0.06	3601001	1
10	PISTON - RELIEF VALVE, 3"	5323500	1
11	PLATE - SEAL, VALVE STEM	1840400	1
12	QUAD RING - 2.88 x 3.25 x 0.19	3601600	1
13	RHMS - NO.10-24 X 0.75, GR5	5402030	3
14	RHMS - NO.6-32 X1.00, BR	5402012	2
15	SEAT - RING	5328201	1
16	SHCS - .313-18 x 0.75, GR8	5401009	8
17	SHIM - SWITCH SPACER, 0.0125	4400800	1
18	SHIM - SWITCH SPACER, 0.025	4400801	1
19	SPRING - PISTON	3600012	1
20	STEM - RELIEF VALVE SWITCH	5241101	1
21	STEM - RELIEF VALVE, 3"	5240800	1
22	WASHER - 0.39 x 0.61 x .06 BR	3603705	1
23	WASHER - LOCK, NO.10 ID, SST	3603509	3
24	WASHER - LOCK, NO.6 ID, SST	3603508	2

REVISIONS				
LTR	DESCRIPTION	DATE	CHG NO.	APPR'D
A	ADDED ADHERE NOTE	17JUN2005	2005-188	WAH



Ⓐ ADHERE #8 O-RING INTO #1 RELIEF VALVE BODY O-RING GROOVE WITH SILICONE ADHESIVE SEALANT APPLIED 360° AROUND GROOVE.

REMOVE SHARP EDGES		INCH (MILLIMETER)	THIRD ANGLE PROJECTION	OLD PART NO.	TOLERANCE EXCEPT AS NOTED 0.00 ± 0.03 0.000 ± 0.010 ANGLES ± 1°	MODEL NAME VR00334	MODEL CREATED 2/20/04	SHEET 1/1	C
MATERIAL DESCRIPTION:		MATERIAL NO.	PATTERN NO.	DR: N JSS	DATE 24-Feb-04	 CHIPPewa FALLS, WI - MELROSE PARK, IL			DGC0138
THIS DESIGN IS THE PROPERTY OF W.S. DARLEY AND CO. - UNAUTHORIZED REPRODUCTION IS PROHIBITED		ALL DIMENSIONS IN INCHES UNLESS NOTED		DO NOT SCALE PRINT	CHRD: WAH	SCALE 1/1			