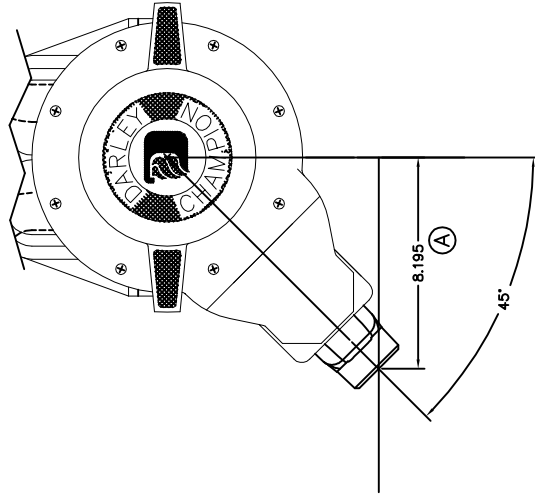


**INLET RELIEF VALVE INFORMATION:** (A)

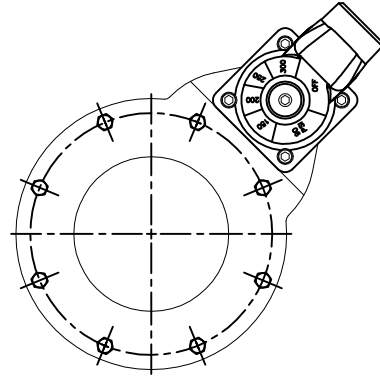
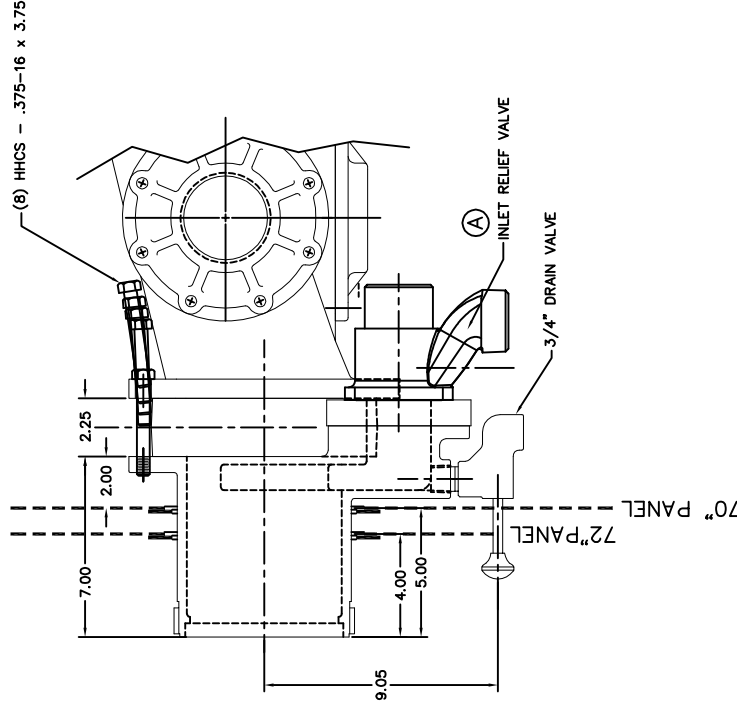
ACTUAL PRESSURE RANGE IS 90PSI - 300PSI  
 THERE MAY BE SOME DIMINISH IN FLOW AT HIGHER  
 PRESSURE SETTINGS. (SETTINGS BELOW 200 PSI  
 RECOMMENDED FOR MOST APPLICATIONS).  
 RELIEF VALVE IS FACTORY SET AT 125 PSI AND  
 WHEN PRESET AT 125 PSI, THE PRESSURE RELIEF  
 VALVE SHALL NOT ALLOW A PRESSURE RISE GREATER  
 THAN 60 PSI AT THE DEVICE INLET WHILE FLOWING A  
 MINIMUM OF 150 GPM.  
 THIS VALVE IS NFPA 2009 1901 COMPLIANT PER SECTION  
 16.6.6.3

**ADJUSTMENT INSTRUCTIONS (IF REQUIRED):** (A)

ADJUST CENTER HEX COUNTERSUNK HEX HEAD PRESSURE  
 ADJUSTING BOLT WITH A 1/4" ALLEN WRENCH, 9/16" OR  
 14 MM SOCKET.  
 TO SET AT THE DESIRED RELIEF PRESSURE, ADJUST THE ADJUSTING  
 BOLT HEAD SO THE TOP OF THE BOLT HEAD IS EVEN WITH  
 THE DESIRED PRESSURE.



NOTE:  
 SUCTION NIPPLE WILL BE ROTATED  
 45° OFF CENTER WHEN MOUNTED.



**TYPICAL SUCTION EXTENSION CONFIGURATION FOR EM, LDM, N, & S PUMP**

EXTENSION AND NIPPLE  
 ARE THE SAME FOR 70 & 72"  
 ASSEMBLIES WITH AND  
 WITHOUT BUTTERFLY VALVES.  
 IF BFV IS NOT REQUIRED, THEN  
 KC00300 ASSY W/2.25 THICK SPACER IS USED.  
 USE 1962503 STAINLESS STEEL PANEL TRIM RING



MATERIAL:  
 THIS DESIGN IS THE PROPERTY OF  
 W.S. DARLEY & CO. UNAUTHORIZED  
 REPRODUCTION IS PROHIBITED

DO NOT SCALE PRINT

ALL DIMENSIONS IN  
 INCHES UNLESS NOTED

PATTERN NO.

07/18/12	DATE	UPDATED DRAWING TO REFLECT USE OF 7" FT SUCTION RELIEF VALVE 8.20 WAS 5.22. UPDATED INFO AND ADJUSTMENT SECTION
A - #9312	PART NO.	
	TOLERANCE	EXCEPT AS NOTED
	PRAC DIM	±.01
	FINISH	2.000 ±.005
	ANGLES	±1°
	DRN	CKE
	CHKD	SJL
	TRGD	
03FEB10	DATE	0.3FEB.00
1/4	SCALE	1/4

W.S. DARLEY & CO.  
 MELROSE PARK, IL - CHIPPENVA FALLS, WI  
 INSTR - INLET RV ADJUSTMENT

1200572