

CHASSIS	
MODEL SPARTAN	GVW 42,000
MFD BIG EZ	FRONT AXLE 16,000 REAR AXLE 24,000
10" RAISED ROOF	C/A 128.00 WB 182.00
	ENG. TYPE CUMMINS ISC 330HP
PUMP TYPE LDMBC 1500 GPM W/CAFS	
TANK SIZE/TYPE 1000 GAL WATER/25 GAL FOAM/POLY	

COMPARTMENTS		
MARK	SIZE	DOOR SIZE
4	44.25W X 61.38H X 12.75D	42.00W X 57.50H
LOWER	27.63H X 25.00D	
5	63.25W X 32.63H X 12.75D	58.00W X 28.75H
6	54.25W X 61.38H X 12.75D	52.00W X 57.50H
LOWER	27.63H X 25.00D	
7	44.00W X 66.38H X 24.50D	38.50W X 55.50H

DRAWING NOTES

DIMENSIONS SHOWN ARE APPROXIMATE AND ARE SUBJECT TO MINOR DEVIATIONS DURING CONSTRUCTION NOT ALL ITEMS SPECIFIED ARE ON THIS PRINT

BODY CONSTRUCTION - COPOLYMER

REAR DOORS - ROLL UP

SIDE DOORS - ROLL UP

DOOR HANDLES - LIFT BAR

DOOR STAYS VERTICAL - N/A

DOOR STAYS HORIZONTAL - N/A

COMPARTMENT INTERIORS - NATURAL WHITE

PUMP PANEL FINISH - LAMINATED GRAPHICS

OPERATORS PANEL - LAMINATED GRAPHICS

LIGHT BAR TYPE - PER SPEC

LIGHT BAR LOCATION - CAB ROOF

REAR BEACONS - PER SPEC

SPOT LIGHTS REAR - UNITY 6"

SPOT LIGHTS FRONT - N/A

SCENE LIGHTS TYPE - N/A

SCENE LIGHT LOCATIONS - N/A

UNDER BODY LIGHTS - PER NFPA

REAR SIDE LIGHTS - PER SPEC

INTERSECTION LIGHTS - PER SPEC

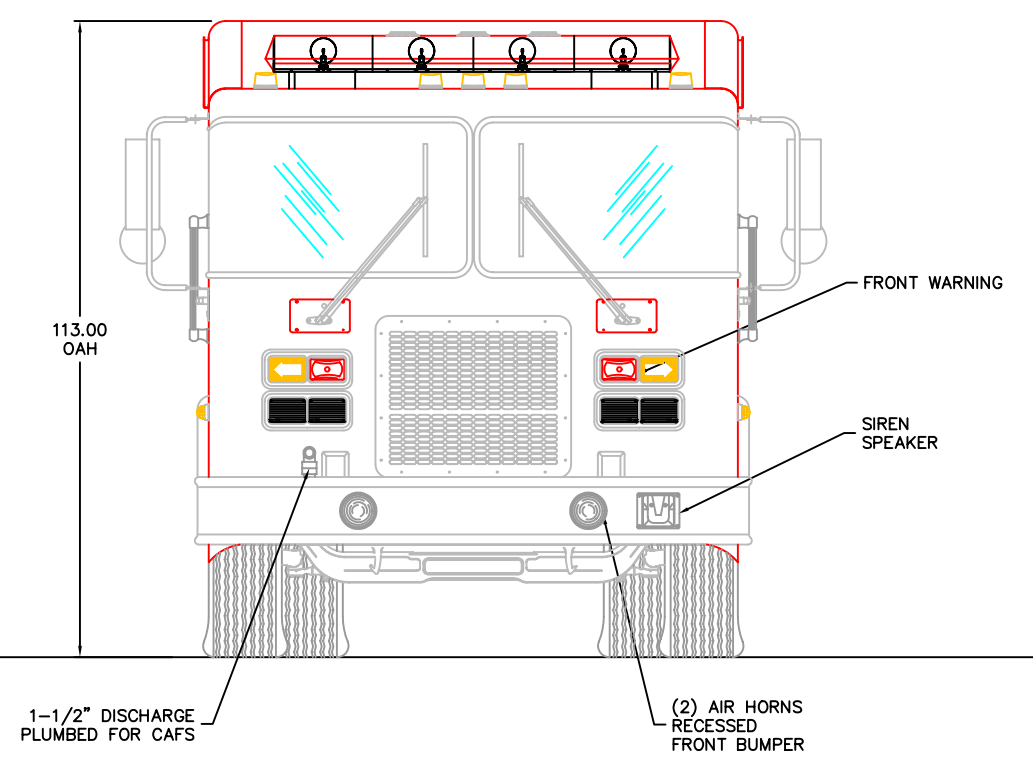
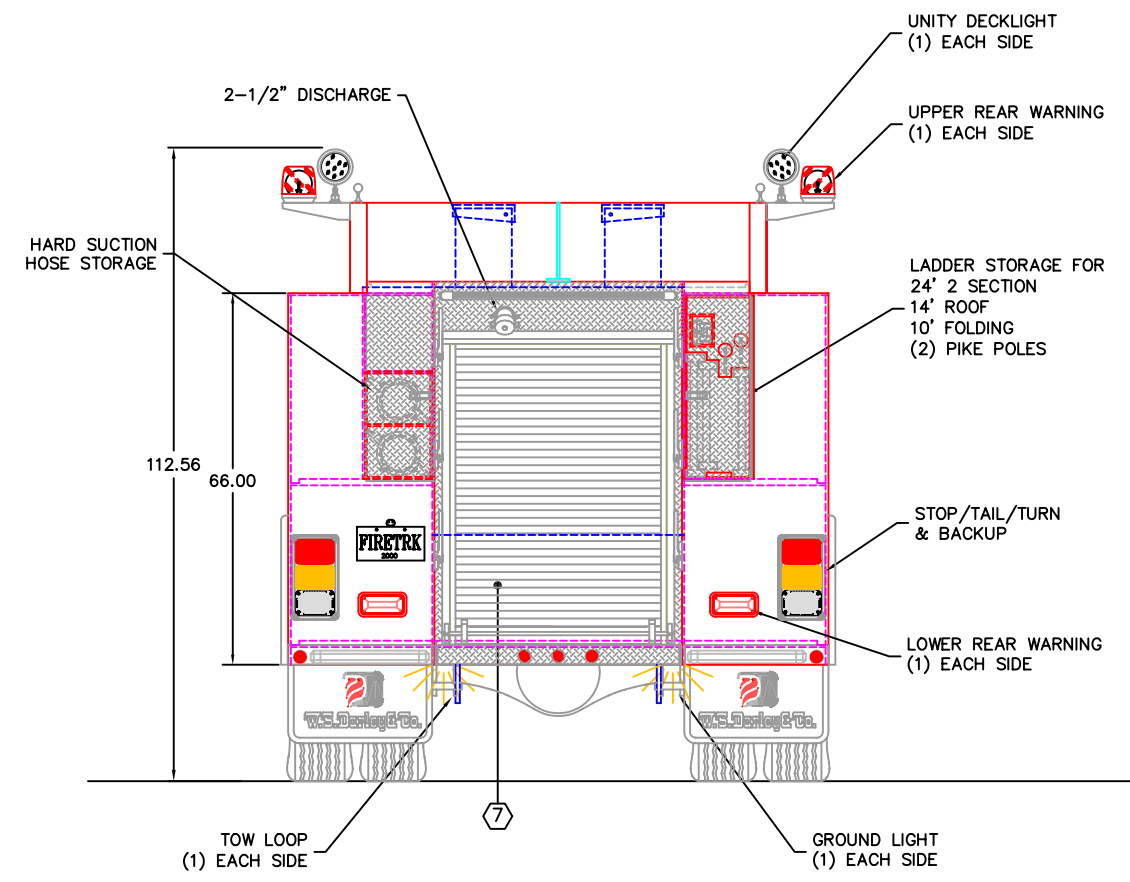
AIR HORNS - PER SPEC

SIREN/SPEAKER TYPE - 100 WATT

SIREN/SPEAKER LOCATION - FRONT BUMPER

GENERATOR TYPE - N/A

GENERATOR LOCATION - N/A



NOTE:
OVERALL HEIGHT SHOWN ON THIS PRINT IS BASED ON 40" LOADED FRAME HEIGHT ACTUAL OVERALL HEIGHT MAY VARY BASE ON ACTUAL LOADED FRAME HEIGHT. THIS DIMENSION IS FOR REFERENCE ONLY.

CUSTOMER APPROVAL SIGNATURE	DATE	SCALE 3/4" = 1'-0"	DATE	REVISIONS
THIS DESIGN IS THE PROPERTY OF W.S. DARLEY AND CO. - UNAUTHORIZED REPRODUCTION IS PROHIBITED		ALL DIMENSIONS IN INCHES UNLESS NOTED	DO NOT SCALE PRINT	DRN SCHULTZ CHRD DWG FILE NAME
			JOB NO.	SHEET NO. 2

PROJECT
THE FIRETRUCK VISION PUMPER
for

W.S. Darley & Co.
APPARATUS DIVISION
2000 ANISON DRIVE
MELROSE PARK, ILLINOIS 60160-1087
1-708-345-8050