

CHASSIS	
MODEL FREIGHTLINER M2	GVW 35,000
4 DOOR	FRNT AXLE 12,000 REAR AXLE 23,000
	C/A 118.00 WB 229.00
	ENG. TYPE DIESEL
PUMP TYPE LDM 1500 GPM SINGLE STAGE	
TANK SIZE/TYPE 1000 GALLON POLY	

COMPARTMENTS		
MARK	SIZE	DOOR SIZE
4	36.00 X 69.00 X 14.00	31.00 X 65.00
4 LOWER	36.00 X 25.00	
5	33.50 X 35.00 X 14.00	33.50 X 31.00
6	51.50 X 69.00 X 14.00	46.50 X 65.00
6 LOWER	51.50 X 25.00	
7	67.00 X 58.00 X 33.50	46.50 X 52.00

**DRAWING NOTES**

DIMENSIONS SHOWN ARE APPROXIMATE AND ARE SUBJECT TO MINOR DEVIATIONS DURING CONSTRUCTION NOT ALL ITEMS SPECIFIED ARE ON THIS PRINT

BODY CONSTRUCTION - ALUMINUM

REAR DOORS - ROLL UP

SIDE DOORS - ROLL UP

DOOR HANDLES - LIFT BAR

DOOR STAYS VERTICAL - N/A

DOOR STAYS HORIZONTAL - N/A

COMPARTMENT INTERIORS - SPLATTER

PUMP PANEL FINISH - BLACK VINYL

OPERATORS PANEL - BLACK VINYL

LIGHT BAR TYPE - PER SPEC

LIGHT BAR LOCATION - CAB ROOF

REAR BEACONS - PER SPEC

SPOT LIGHTS REAR - UNITY 6"

SPOT LIGHTS FRONT - N/A

SCENE LIGHTS TYPE - N/A

SCENE LIGHT LOCATIONS - N/A

UNDER BODY LIGHTS - PER NFPA

REAR SIDE LIGHTS - PER SPEC

INTERSECTION LIGHTS - PER SPEC

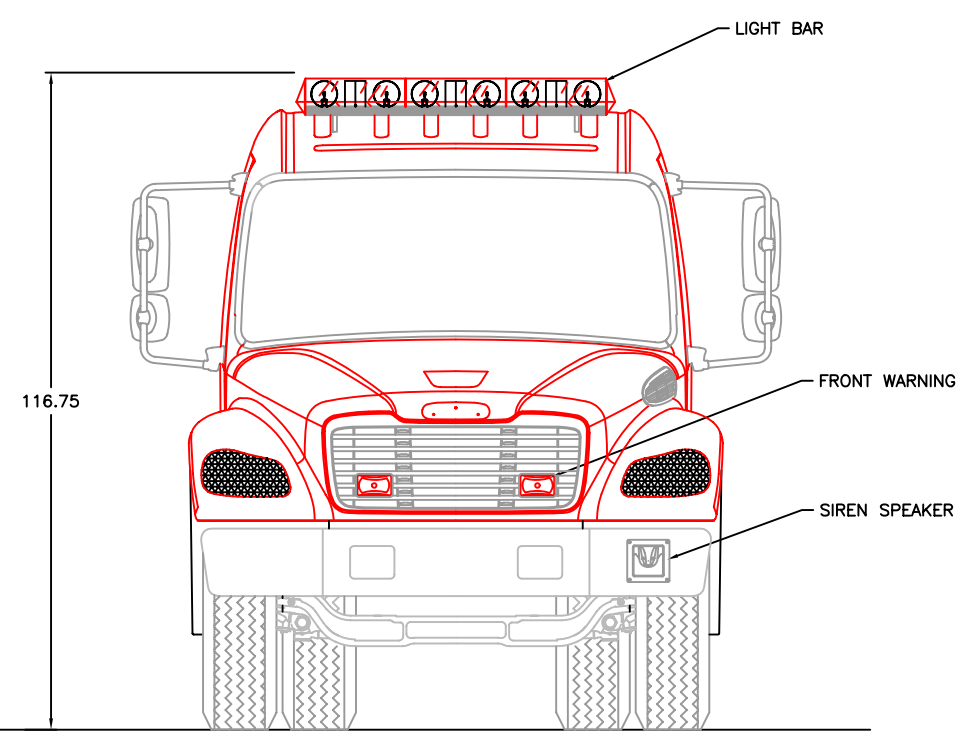
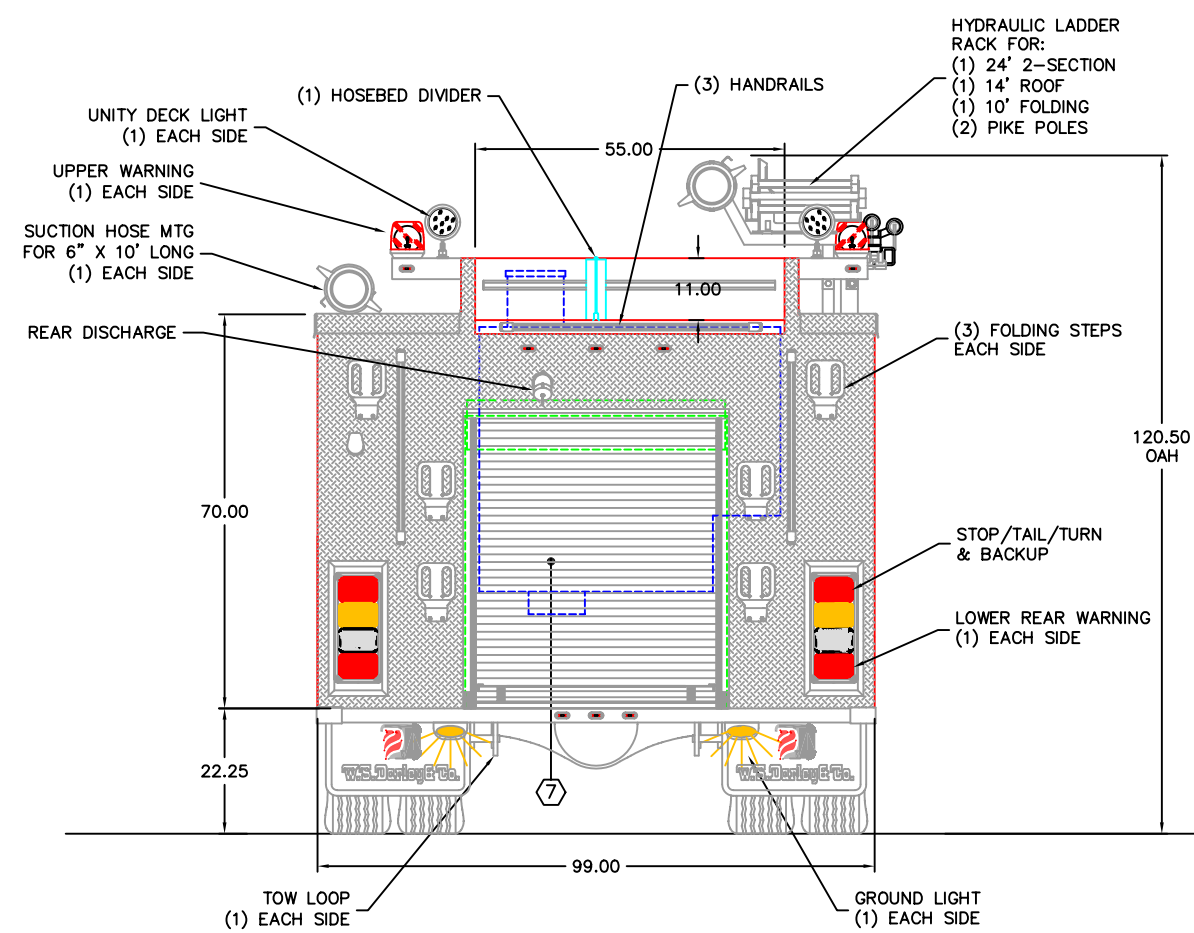
AIR HORNS - PER SPEC

SIREN/SPEAKER TYPE - 100 WATT

SIREN/SPEAKER LOCATION - FRONT BUMPER

GENERATOR TYPE - N/A

GENERATOR LOCATION - N/A



NOTE:  
OVERALL HEIGHT SHOWN ON THIS PRINT IS BASED ON 40" LOADED FRAME HEIGHT ACTUAL OVERALL HEIGHT MAY VARY BASE ON ACTUAL LOADED FRAME HEIGHT. THIS DIMENSION IS FOR REFERENCE ONLY.

CUSTOMER APPROVAL SIGNATURE	DATE	REVISIONS
		DATE APRIL 6, 2005
		SCALE 3/4" = 1'-0"
THIS DESIGN IS THE PROPERTY OF W.S. DARLEY AND CO. - UNAUTHORIZED REPRODUCTION IS PROHIBITED	ALL DIMENSIONS IN INCHES UNLESS NOTED	DO NOT SCALE PRINT
DRN SCHULTZ	JOB NO.	SHEET NO. 2
CHRD		
DWG FILE NAME 153-10-SIDECTRL1-LDM-M2-4DR		

**W.S. Darley & Co.**  
APPARATUS DIVISION  
2000 ANSON DRIVE  
PARK, ILLINOIS 60160-1087  
1-708-345-8050

PROJECT  
CHALLENGER PUMPER  
for