



PRODUCT DATA SHEET

P/N: **K5026-FL**



SPREADER BASE MT. (FASTLOK)

The Spreader Base Pocket Kit combines the speed of the K5020 Fastlok with the durability and versatility of the 1026 Spreader Base Pocket. Pocket can be contain tips of spreader jaws.

TYPICAL SPECIFICATION

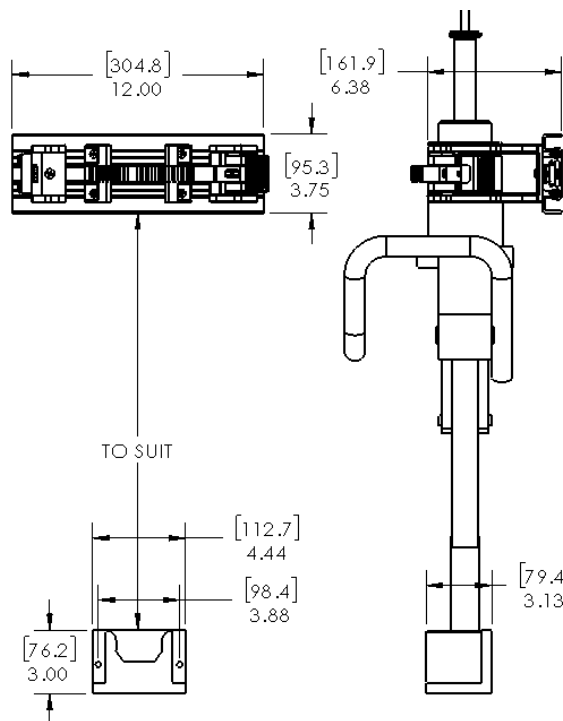
Mounting bracket kit PAC PN K5026-FL shall include a heavy duty pocket and a strap bracket to locate and secure many rams, struts and heavy posts. Components shall be made from tough, corrosion free material. Hardware shall be stainless steel. Users shall be protected from conductivity.

FEATURES

- Heavy duty construction
- Multiple mounting positions
- Mounts most spreaders and combi tools
- Weather, UV resistant
- Non-conductive
- Includes Stainless Steel fasteners
- Mounts to PAC tool boards and other flat surfaces
- Straps available in Yellow, Black and Orange

SPECIFICATIONS

P/N	WT.	MAX LOAD	GRIP RANGE	FLAME TOXICITY CHEMICAL
K5020	3.0lbs	N/A	UP TO 8.5" W	GOOD
1026	1.0 bs	N/A	N/A	GOOD



Performance Advantage Company

Lancaster, New York

www.pactoolmounts.com

888-514-0083

REFERENCE	QTY	REMARKS	PROJECT
			LOCATION
			BUYER
			DEALER
			BUILDER
			SUBMITTED BY: DATE:



The **SPREADER BASE TOOL MOUNTING KIT** combines K5020 Fastlok and 1026 Spreader Base Pocket to support, locate and secure most all rescue tools including Cutters, Spreaders and Combi tools. Works great with the eDraulic tools. Your tools can be mounted vertically, horizontally or angled.

- Heavy duty construction
- Multiple mounting positions
- Mounts most Heavy Rescue tools, even electric tools
- Weather, UV resistant
- Non-conductive

