



**PRODUCT DATA SHEET**

P/N: **1070**  
**JUMBO LOK**



The Jumbo Lok is a large positive locking bracket with **FOUR** strap pivot positions providing an extensive grip range for a wide variety of tools and equipment.

**TYPICAL SPECIFICATION**

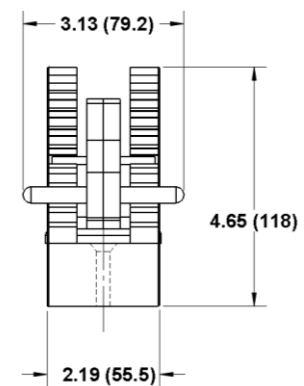
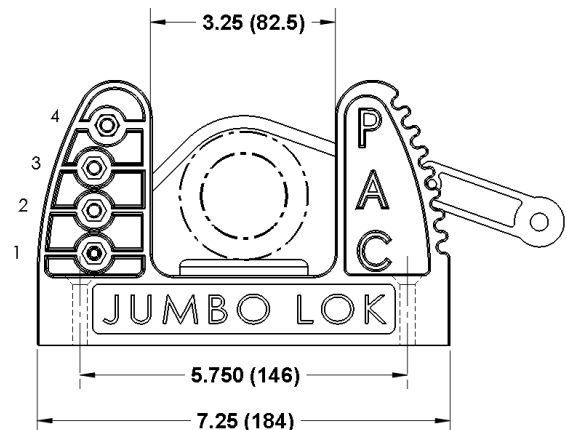
Mounting bracket shall be PAC PN 1070

Bracket shall be made from tough, corrosion free material. Hardware shall be stainless steel.

Strap shall have 4 or more pivot positions and users shall be protected from conductivity.

**FEATURES**

- Molded from high quality materials
- Soft textured pad for extra grip
- Weather, UV resistant
- Non-conductive
- Can be mounted horizontally or vertically
- Stainless Steel Fasteners provided
- Mounts to PAC tool boards and other flat surfaces
- Strap available in Yellow, Black and Orange



Dimensions: 7.3" L x 2.3" W x 4.6" H

**SPECIFICATIONS**

P/N	WT.	MAX LOAD	GRIP RANGE	FLAME TOXICITY CHEMICAL
1070	1.0 lbs	N/A	0.375"-3.25"	N/A



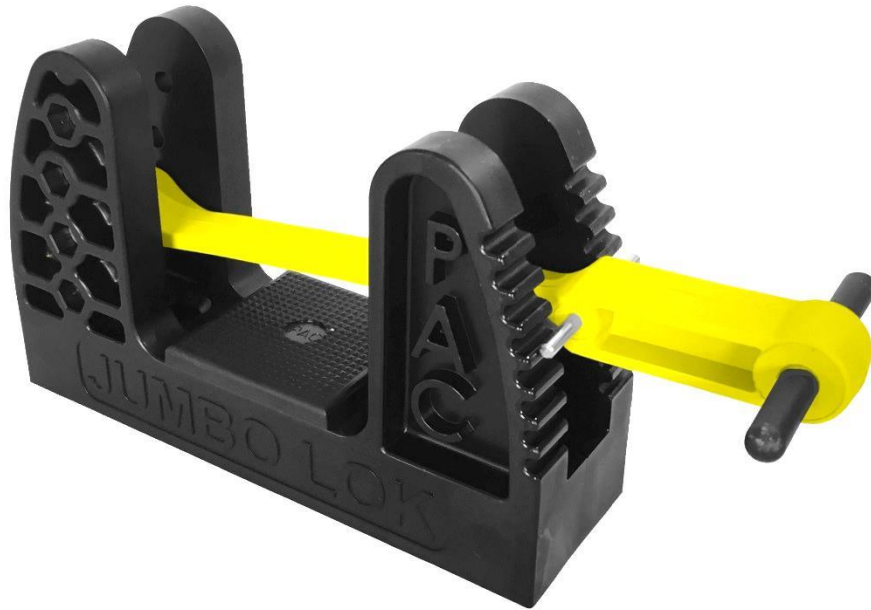
Performance Advantage Company

Lancaster, New York

www.pactoolmounts.com

888-514-0083

REFERENCE	QTY	REMARKS	PROJECT
			LOCATION
			BUYER
			DEALER
			BUILDER
			SUBMITTED BY: DATE:



The Jumbo Lok is a large positive locking bracket with **THREE** strap pivot positions providing an extensive grip range for a wide variety of tools and equipment.

- Molded from high quality materials
- Soft textured pad for extra grip.
- Weather, UV resistant
- Non-conductive
- Can be mounted horizontally or vertically

